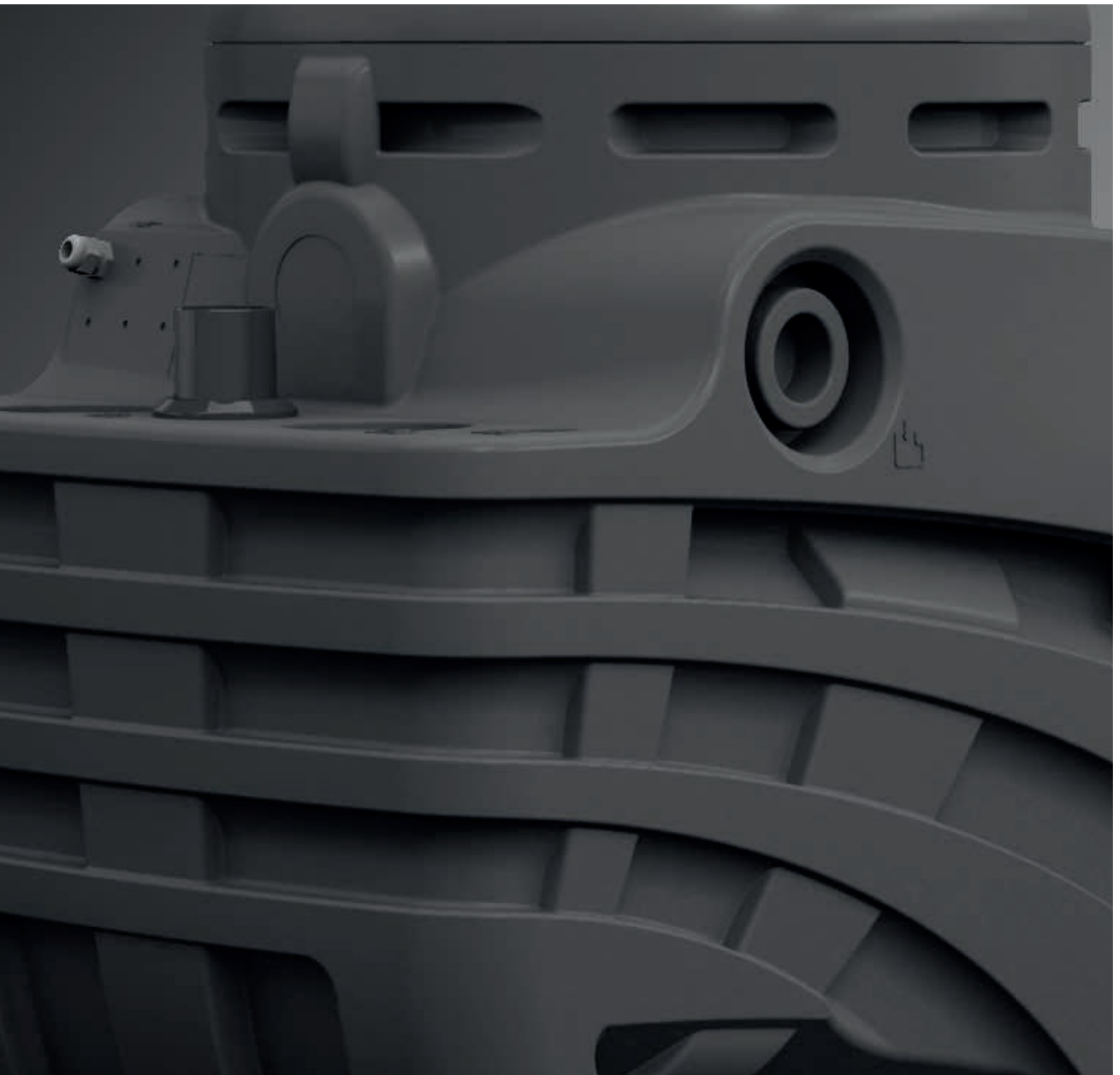


# FEKABOX - FEKAFOS

AUTOMATIC PUMPING STATION





# FEKABOX 110

## 1 PUMP AUTOMATIC LIFTING STATIONS



### TECHNICAL DATA

**Operating range:**

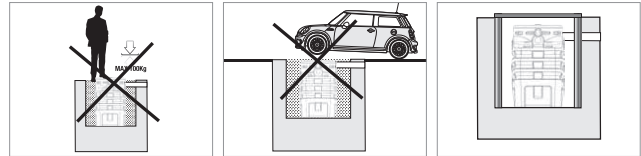
from 1 to 24 m<sup>3</sup>/h with head up to 9 metres.

**Liquid temperature range:** + 45° C**Pumped liquid:**

waste water and domestic drains.

**Installation:** inside the building, secured to the floor.

It cannot be driven or walked on.



### APPLICATIONS

Pumping stations suitable for the collection and redirection to the sewer network, of domestic drain water (waste, dirty, rain), of basements and garages, for one dwelling, when the sewer network cannot be reached due to gravity issues.

### CONSTRUCTION FEATURES

**CAPACITY:** 110 l**MATERIALS:** LLDPE**CONNECTIONS**

- Inputs DN 50/110
- Ventilation DN 50
- Horizontal or vertical G2" output

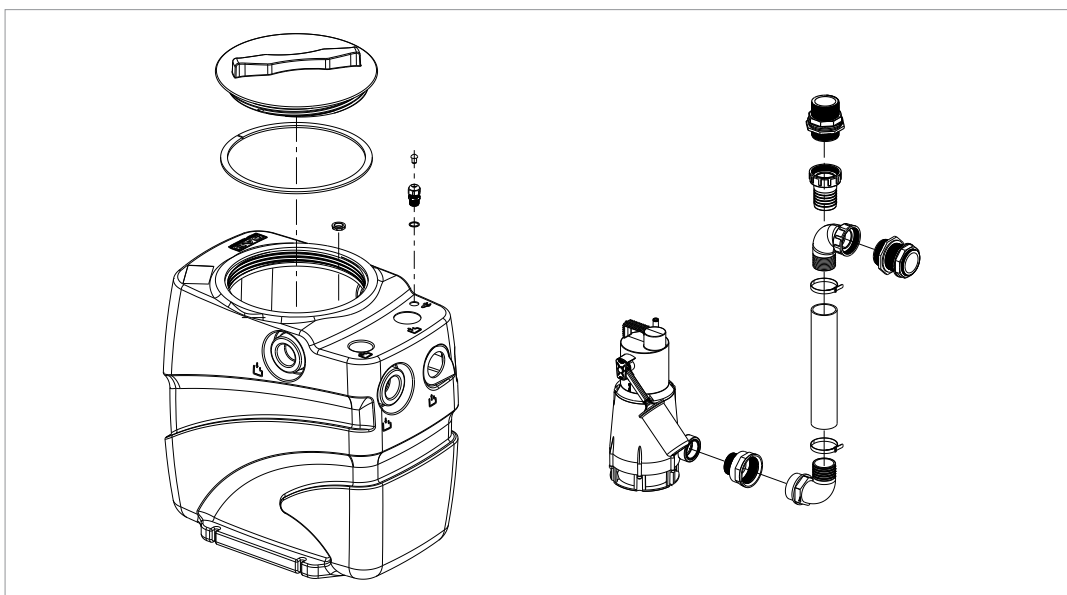
**COMPONENTS INCLUDED:**

- Complete pump installation kit (see pump installation image).
- Cable gland for individual pump
- 2" F x 1 x 1/4 M connector for FEKA 600

**COMPONENTS NOT INCLUDED**

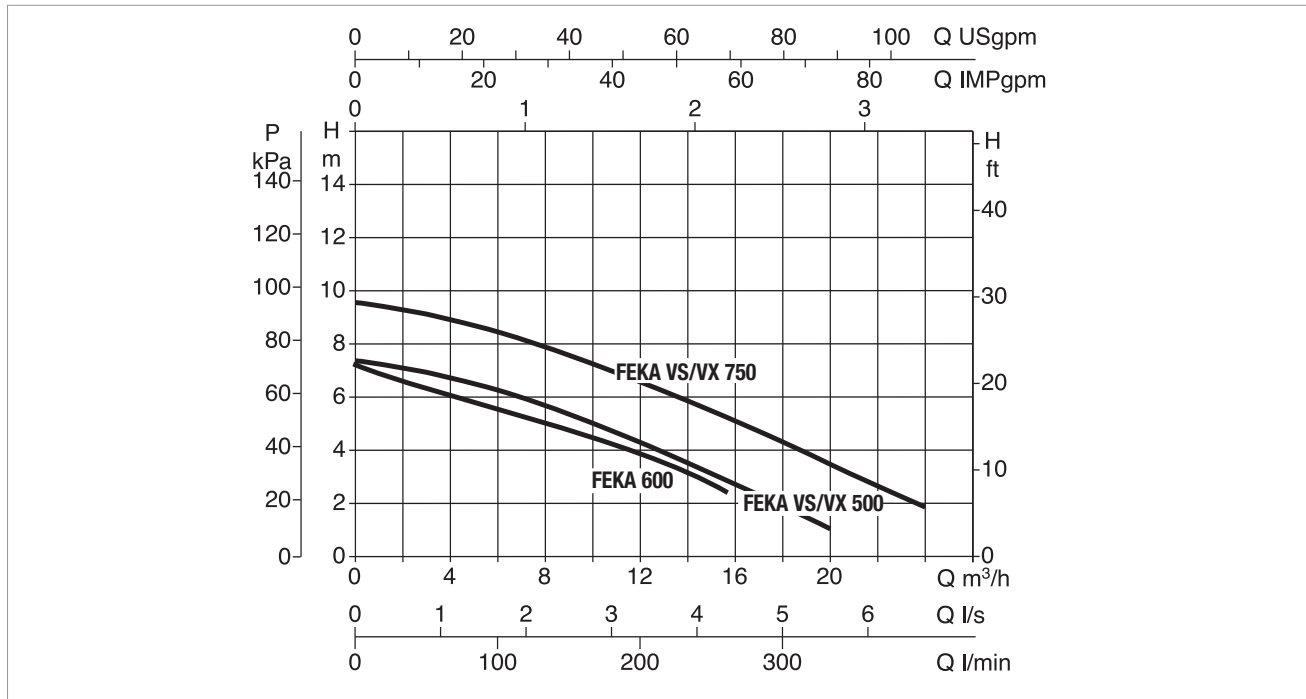
- Pump: to be selected according to the possible configurations.

### PUMP INSTALLATION



# FEKABOX 110 - AUTOMATIC WASTE WATER LIFTING AND COLLECTION STATIONS

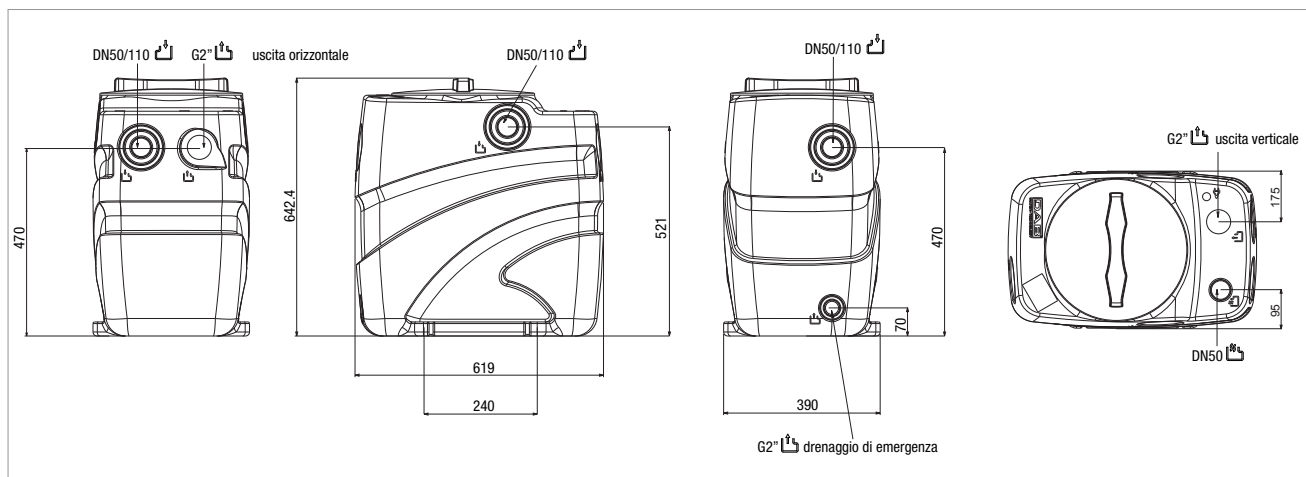
Liquid temperature range: +50 °C



The performance curves are based on kinematic viscosity values = 1 mm²/s and density equal to 1000 kg/m³. Curve tolerance according to ISO 9906.

## CONFIGURATIONS

PUMP MODEL	ELECTRICAL DATA				
	POWER INPUT 50 HZ	P1 MAX kW	P2 NOMINAL		In A
			kW	HP	
FEKA 600 M-A	1X220-240 V~	1	0.55	0.75	4.3
FEKA VS/VX 550 M-A	1X220 - 240 V~	0.9	0.55	0.75	4.2
FEKA VS/VX 750 M-A	1X220 - 240 V~	1.1	0.75	1	5.13



## SIZES AND WEIGHTS

PACKING DIMENSIONS			WEIGHT Kg
L/A	L/B	H	
650	400	665	10.3

### LEGEND:

- Emergency output or delivery piping connection
- Collection piping input
- Power and float cable output
- Ventilation pipe connection
- Recyclable material

# FEKABOX 200

## 1 PUMP AUTOMATIC LIFTING STATIONS



### TECHNICAL DATA

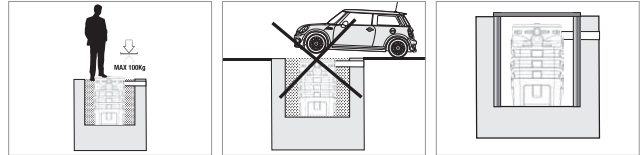
**Operating range:** from 1 to 24 m<sup>3</sup>/h with head up to 15 metres.

**Pumped liquid:** ground water, rain water, clear waste water, grey waste water, and river or lake water.

**Maximum temperature of liquid:** 45 °C

**Installation:** Secured to the floor if inside a building. Underground if outside the building.

It cannot be driven on, but it can be walked on, maximum weight 100 kg.



### APPLICATIONS

Pumping stations suitable for the collection and redirection to the sewer network, of domestic drain water (waste, dirty, rain), of basements and garages, for one or more dwellings, when the sewer network cannot be reached due to gravity issues.

### CONSTRUCTION FEATURES

**CAPACITY:** 200 lt

**MATERIALS:** LLDPE

**STANDARDS** 12050-1

#### CONNECTIONS

- DN 50/110 inputs
- DN 50 ventilation
- G2" output

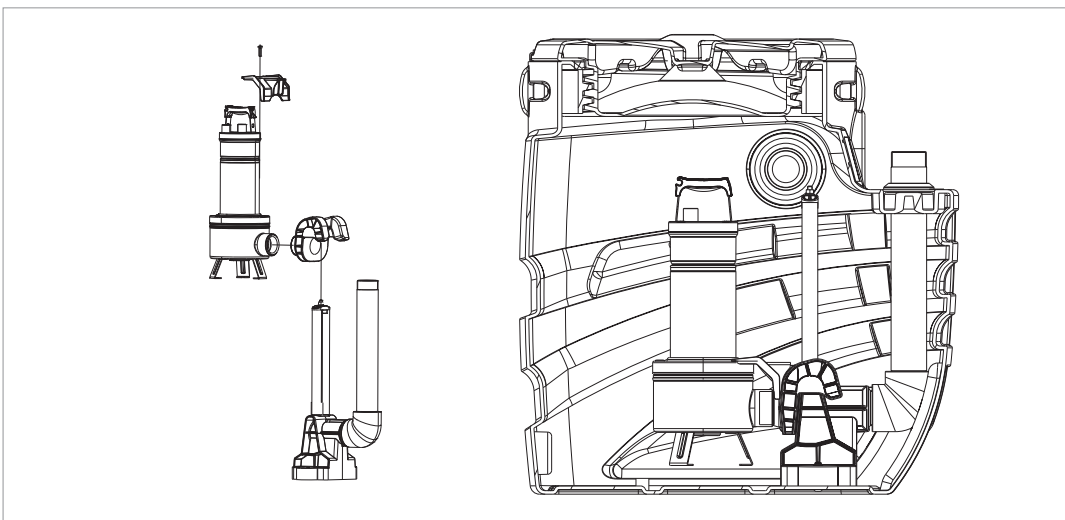
#### COMPONENTS INCLUDED:

- 2" PP lifting device  
and rotation prevention bracket for FEKA VS and VX
- Cable gland for individual pump
- 2" F x 1 x ¼ M connector for FEKA 600
- FEKA VS and VX float cable stop kit

#### COMPONENTS NOT INCLUDED

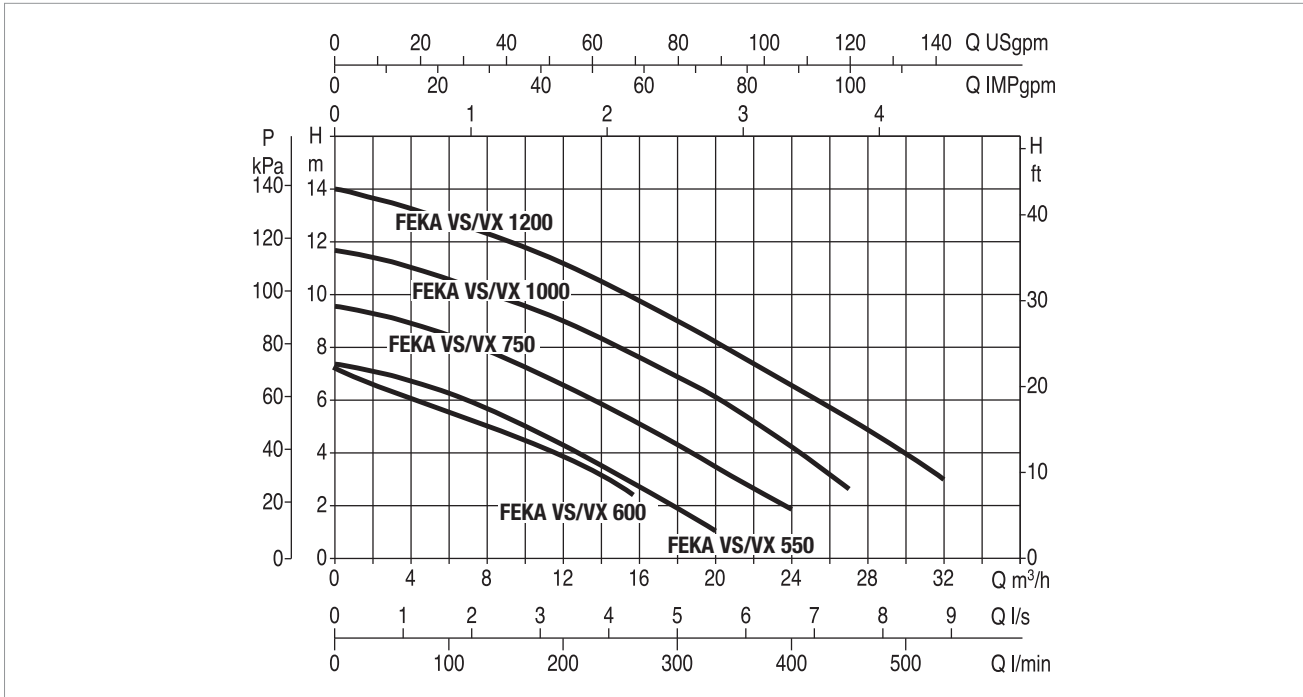
- Pump: to be selected according to the possible configurations
- Alarm float support

### PUMP INSTALLATION



# FEKABOX 200 - WASTE WATER AUTOMATIC COLLECTION AND LIFTING STATIONS

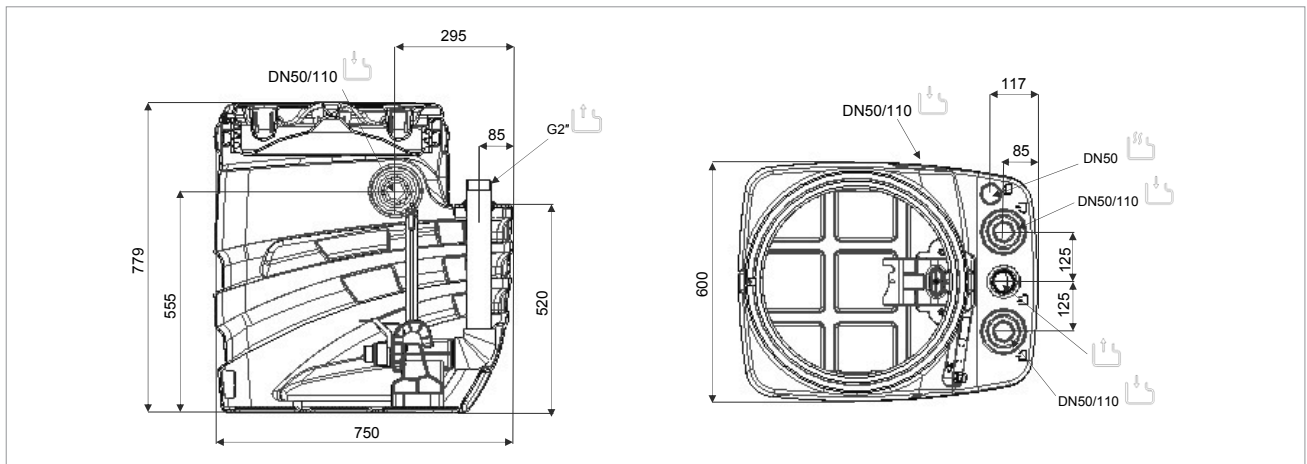
Maximum temperature of liquid: 45°C



The performance curves are based on kinematic viscosity values = 1 mm²/s and density equal to 1000 kg/m³. Curve tolerance according to ISO 9906.

## CONFIGURATIONS

PUMP MODEL	ELECTRICAL DATA				
	POWER INPUT 50 HZ	P1 MAX kW	P2 NOMINAL		In A
			kW	HP	
FEKA 600 M-A	1X220-240 V~	1	0.55	0.75	4.3
FEKA VS/VX 550 M-A	1X220 - 240 V~	0.9	0.55	0.75	4.2
FEKA VS/VX 750 M-A	1X220 - 240 V~	1.1	0.75	1	5.13
FEKA VS/VX 1000 M-A	1X220 - 240 V~	1.4	1	1.36	6.63
FEKA VS/VX 1200 M-A	1X220 - 240 V~	1.9	1.2	1.6	8.63



## SIZES AND WEIGHTS

PACKING DIMENSIONS			WEIGHT Kg
L/A	L/B	H	
750	600	779	23.2

### LEGEND:

- Emergency output or delivery piping connection
- Collection piping input
- Power and float cable output
- Ventilation pipe connection
- Recyclable material

# FEKAFOS 280

## 1 PUMP AUTOMATIC LIFTING STATIONS



### TECHNICAL DATA

**Operating range:**

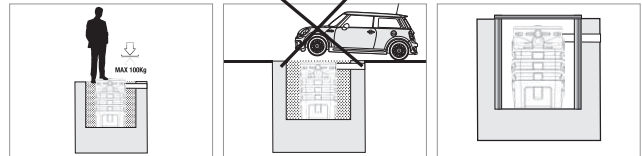
from 1 to 32 m<sup>3</sup>/h with head up to 23 metres.

**Pumped liquid:** ground water, rain water, clear waste water, grey waste water, and river or lake water.

**Maximum temperature of liquid:** 45 °C

**Installation:** Secured to the floor if inside a building. Underground if outside the building.

It cannot be driven on, but it can be walked on, maximum weight 100 kg.



### APPLICATIONS

Pumping stations suitable for the collection and redirection to the sewer network, of domestic drain water (waste, dirty, rain), of basements and garages, for one or more dwellings, when the sewer network cannot be reached due to gravity issues.

### CONSTRUCTION FEATURES

**CAPACITY:** 280 lt

**MATERIALS:** LLDPE

**STANDARDS** 12050-1

#### CONNECTIONS

- Inputs DN 50/110
- Ventilation DN 50
- G2" output

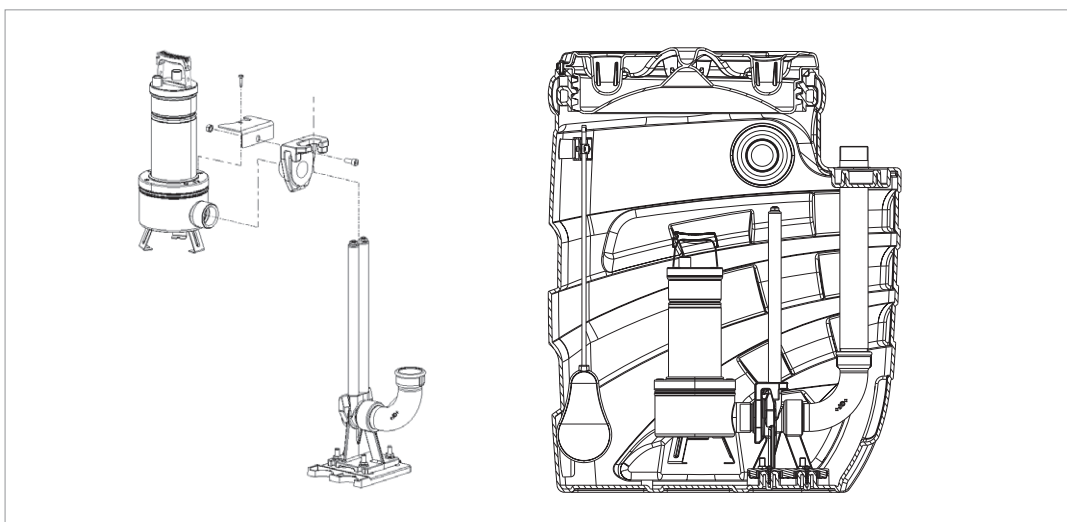
#### COMPONENTS INCLUDED:

- DSD2" lifting device  
and rotation prevention bracket for FEKA VS and VX
- 4 cable glands for single pump and floats
- 2" F x 1 x ¼ M connector for FEKA 600
- FEKA VS and VX float cable stop kit
- 2 floats and alarm float support

#### COMPONENTS NOT INCLUDED

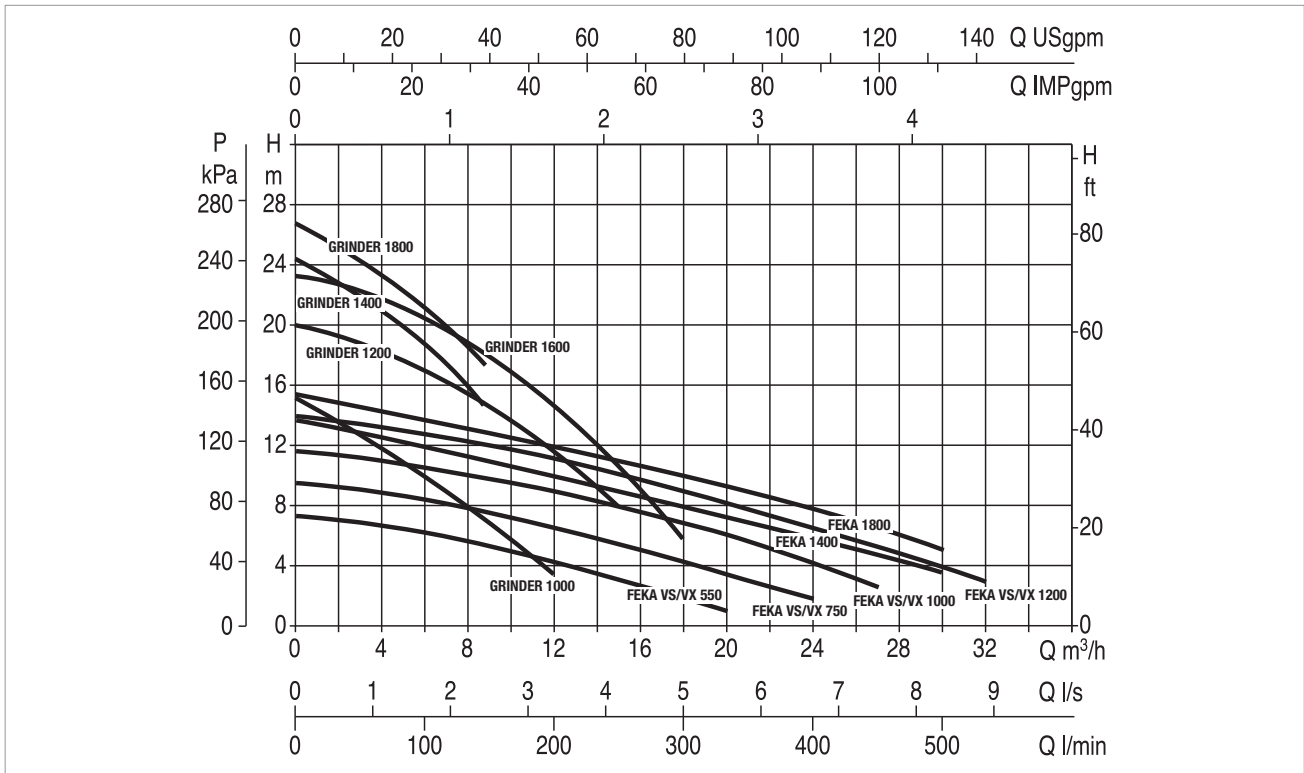
- Pump: to be selected according to the possible configurations
- Panel: to be selected according to the possible configurations
- Overflow alarm float

### PUMP INSTALLATION



# FEKAFOS 280 - WASTE WATER AUTOMATIC COLLECTION AND LIFTING STATIONS

Maximum temperature of liquid: 45°C



The performance curves are based on kinematic viscosity values = 1 mm²/s and density equal to 1000 kg/m³. Curve tolerance according to ISO 9906.

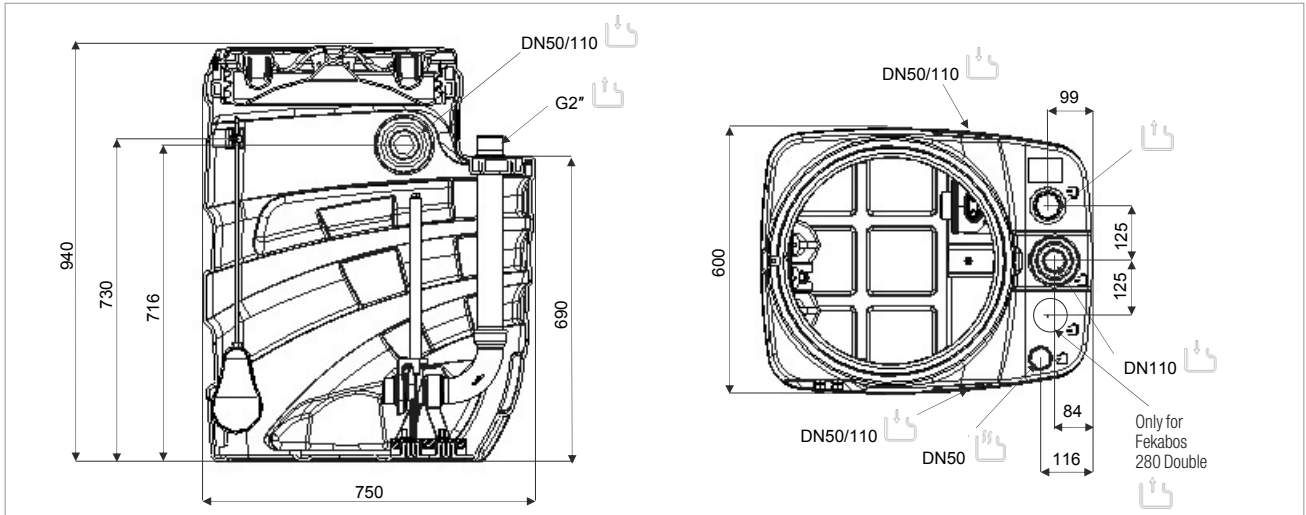
## CONFIGURATIONS

MODEL PUMP	ELECTRICAL DATA					PANEL MATCHING
	POWER INPUT 50 HZ	P1 MAX kW	P2 NOMINAL		In A	
			kW	HP		
FEKA VS/VX 550 M-NA	1X220 - 240 V~	0,9	0,55	0,75	4,2	ED 1 M
FEKA VS/VX 550 T-NA	3X400 V~	0,9	0,55	0,75	1,64	ED 1 T
FEKA VS/VX 750 M-NA	1X220 - 240 V~	1,1	0,75	1	5,13	ED 1 M
FEKA VS/VX 750 T-NA	3X400 V~	1,1	0,75	1	1,94	ED 1 T
FEKA VS/VX 1000 M-NA	1X220 - 240 V~	1,4	1	1,36	6,63	ED 1,5 M
FEKA VS/VX 1000 T-NA	3X400 V~	1,4	1	1,36	2,51	ED 1,5 T
FEKA VS/VX 1200 M-NA	1X220 - 240 V~	1,9	1,2	1,6	8,63	ED 1,5 M
FEKA VS/VX 1200 T-NA	3X400 V~	1,9	1,2	1,6	3,44	ED 1,5 T
FEKA 1400 M	1X220 - 240 V~	1,8	1,1	1,5	8,5	ED 3 M 40 qF
FEKA 1800 T	3X400 V~	1,9	1,5	2,0	3,7	ED 1,5 T
GRINDER 1400 M	1X220 - 240 V~	1,9	1,1	1,5	8,7	ED 3 MHS
GRINDER 1800 T	3X400 V~	2	1,5	2,0	3,8	ED 1,5 T
GRINDER 1000 M-NA	1X220 - 240 V~	1,5	1	1,3	8	ED 1,5 M
GRINDER 1000 T	3X400 V~	1,6	1	1,3	2,8	ED 1,5 T
GRINDER 1200 M-NA	1X220 - 240 V~	2,8	1,5	2	12,7	ED 2 M
GRINDER 1200 T	3X400 V~	2,7	1,5	2	4,7	ED 2,5 T
GRINDER 1600 M-NA	1X220 - 240 V~	3,8	1,8	2,4	16,8	ED 2,4 M
GRINDER 1600 T	3X400 V~	3,3	1,8	2,4	5,8	ED 2,5 T



# FEKAFOS 280 - WASTE WATER AUTOMATIC COLLECTION AND LIFTING STATIONS






Maximum temperature of liquid: 45°C



## SIZES AND WEIGHTS

PACKING DIMENSIONS			WEIGHT Kg
L/A	L/B	H	
750	600	940	40.5

## LEGEND:

-  → Emergency output or delivery piping connection
-  → Collection piping input
-  → Power and float cable output
-  → Ventilation pipe connection
-  → Recyclable material

# FEKAFOS 280 DOUBLE

## 2 PUMP AUTOMATIC LIFTING STATIONS



### TECHNICAL DATA

**Operating range:**

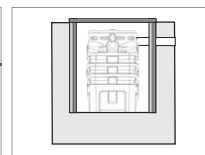
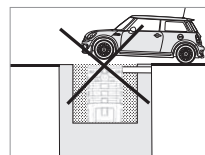
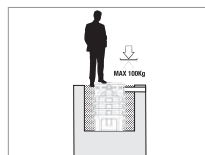
from 1 to 32 m<sup>3</sup>/h with head up to 23 metres.

**Pumped liquid:** ground water, rain water, clear waste water, grey waste water, and river or lake water.

**Maximum temperature of liquid:** 45°C

**Installation:** Secured to the floor if inside a building. Underground if outside the building.

It cannot be driven on, but it can be walked on, maximum weight 100 kg.



### APPLICATIONS

Pumping stations suitable for the collection and redirection to the sewer network, of domestic drain water (waste, dirty, rain), of basements and garages, for one or more dwellings, when the sewer network cannot be reached due to gravity issues.

### CONSTRUCTION FEATURES

**CAPACITY:** 280 lt

**MATERIALS:** LLDPE

**STANDARDS** 12050-1

**CONNECTIONS**

- DN 50/110 inputs
- DN 50 ventilation
- G2" output

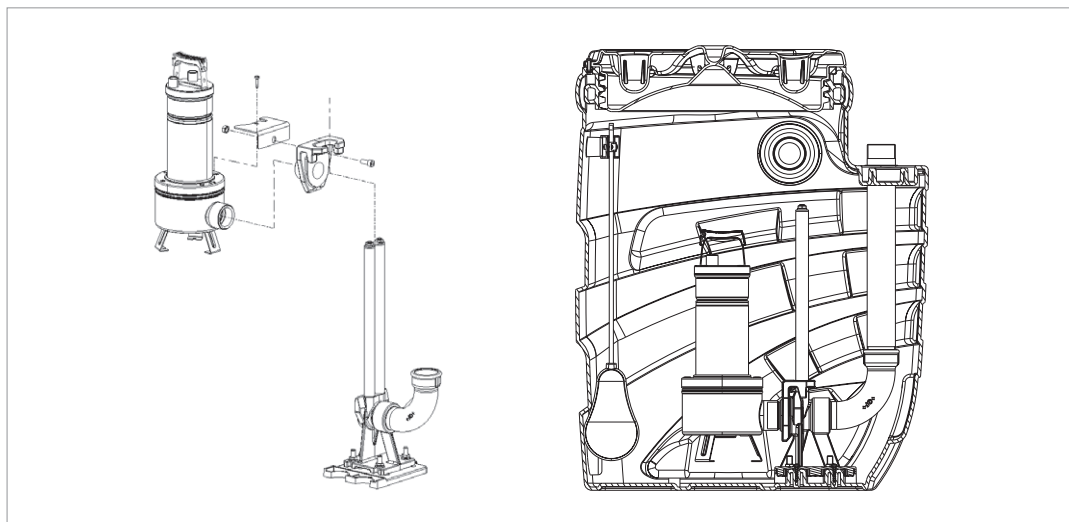
**COMPONENTS INCLUDED:**

- 2 DSD2" lifting devices  
and rotation prevention bracket for FEKA VS and VX
- 6 cable glands for double pump and floats
- 2 FEKA VS and VX float cable stop kits
- 3 floats and alarm float support

**COMPONENTS NOT INCLUDED**

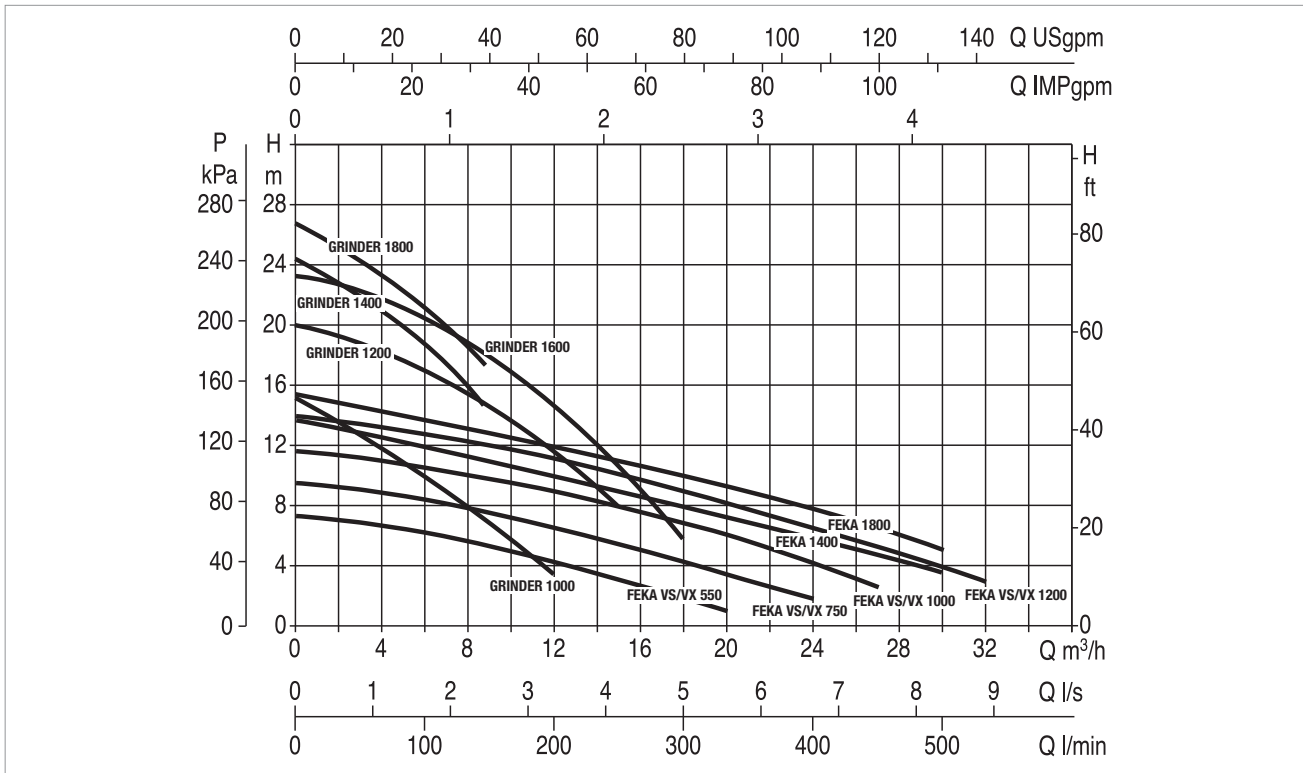
- Pump: to be selected according to the possible configurations
- Panel: to be selected according to the possible configurations
- Overflow alarm float

### PUMP INSTALLATION



# FEKAFOS 280 DOUBLE - WASTE WATER AUTOMATIC COLLECTION AND LIFTING STATIONS

Maximum temperature of liquid: 45°C



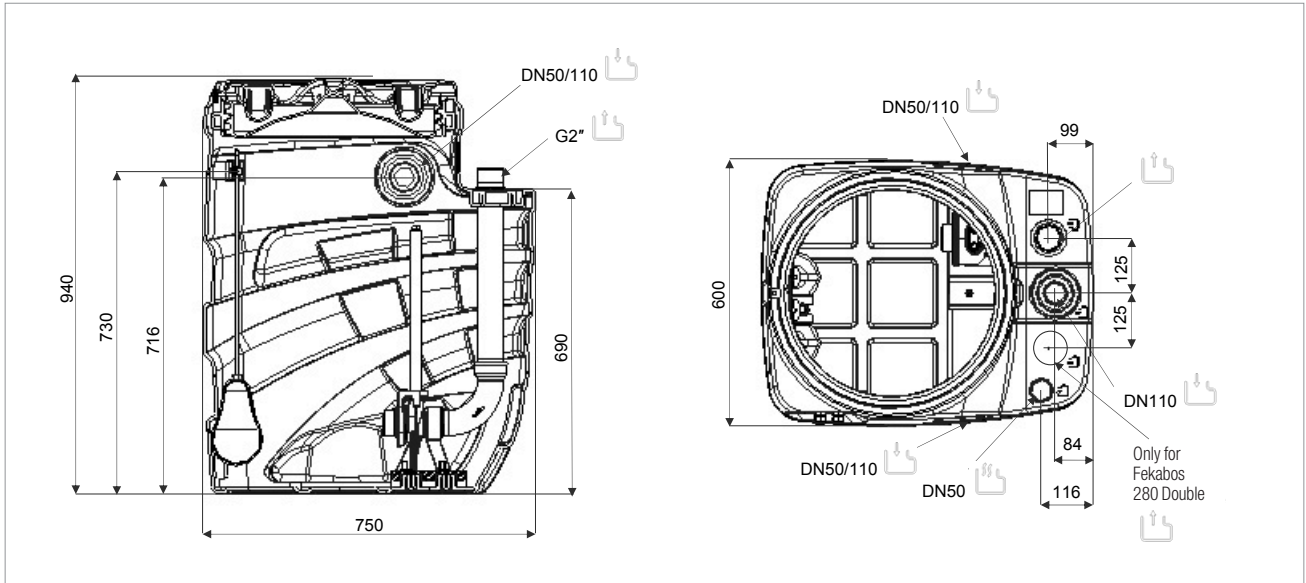
The performance curves are based on kinematic viscosity values = 1 mm²/s and density equal to 1000 kg/m³. Curve tolerance according to ISO 9906.

## CONFIGURATIONS

PUMP MODEL	ELECTRICAL DATA				PANEL MATCHING			
	POWER INPUT 50 HZ	P1 MAX KW	P2 NOMINAL		In A	E2D	E.BOX BASIC / E.BOX BASIC D	E.BOX PLUS / E.BOX PLUS D
		KW	HP					
FEKA VS/VX 550 M-NA	1X220 - 240 V~	0,9	0,55	0,75	4,2	E2D 2 M	.	.
FEKA VS/VX 550 T-NA	3X400 V~	0,9	0,55	0,75	1,64	E2D 2 T	.	.
FEKA VS/VX 750 M-NA	1X220 - 240 V~	1,1	0,75	1	5,13	E2D 2 M	.	.
FEKA VS/VX 750 T-NA	3X400 V~	1,1	0,75	1	1,94	E2D 2 T	.	.
FEKA VS/VX 1000 M-NA	1X220 - 240 V~	1,4	1	1,36	6,63	E2D 3 M	.	.
FEKA VS/VX 1000 T-NA	3X400 V~	1,4	1	1,36	2,51	E2D 3 T	.	.
FEKA VS/VX 1200 M-NA	1X220 - 240 V~	1,9	1,2	1,6	8,63	E2D 3 M	.	.
FEKA VS/VX 1200 T-NA	3X400 V~	1,9	1,2	1,6	3,44	E2D 3 T	.	.
FEKA 1400 M	1X220 - 240 V~	1,8	1,1	1,5	8,5	E2D 6 M 40 µF	.	.
FEKA 1800 T	3X400 V~	1,9	1,5	2,0	3,7	E2D 3 T	.	.
GRINDER 1400 M	1X220 - 240 V~	1,9	1,1	1,5	8,7	E2D 6 M HS	.	.
GRINDER 1800 T	3X400 V~	2	1,5	2,0	3,8	E2D 3 T	.	.
GRINDER 1000 M-NA	1X220 - 240 V~	1,5	1	1,3	8	E2D 3 M	.	.
GRINDER 1000 T	3X400 V~	1,6	1	1,3	2,8	E2D 3 T	.	.
GRINDER 1200 M-NA	1X220 - 240 V~	2,8	1,5	2	12,7	E2D 4 M	.	.
GRINDER 1200 T	3X400 V~	2,7	1,5	2	4,7	E2D 5 T	.	.
GRINDER 1600 M-NA	1X220 - 240 V~	3,8	1,8	2,4	16,8	E2D 4,8 M	.	.
GRINDER 1600 T	3X400 V~	3,3	1,8	2,4	5,8	E2D 5 T	.	.

# FEKAFOS 280 DOUBLE - WASTE WATER AUTOMATIC COLLECTION AND LIFTING STATIONS






Maximum temperature of liquid: 45°C



## SIZES AND WEIGHTS

PACKING DIMENSIONS			WEIGHT Kg
L/A	L/B	H	
750	600	940	53.7

## LEGEND:

-  → Emergency output or delivery piping connection
-  → Collection piping input
-  → Power and float cable output
-  → Ventilation pipe connection
-  → Recyclable material

# FEKAFOS 550 DOUBLE

## 2 PUMP AUTOMATIC LIFTING STATIONS



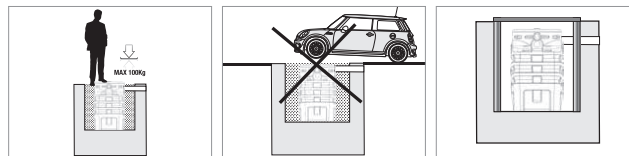
### TECHNICAL DATA

**Operating range:**

from 1 to 32 m<sup>3</sup>/h with head up to 23 metres.

**Liquid temperature range:** + 45° C**Pumped liquid:** ground water, rain water, clear waste water, grey waste water, and river or lake water.**Installation:** Secured to the floor if inside a building. Underground if outside the building.

It cannot be driven on, but it can be walked on, maximum weight 100 kg.



### APPLICATIONS

Pumping stations suitable for the collection and redirection to the sewer network, of domestic drain water (waste, dirty, rain), of basements and garages, for one or more dwellings, when the sewer network cannot be reached due to gravity issues.

### CONSTRUCTION FEATURES

**CAPACITY:** 550 lt**MATERIALS:** LLDPE**CONNECTIONS**

- Inputs DN 50/110
- Ventilation DN 50
- G2" output

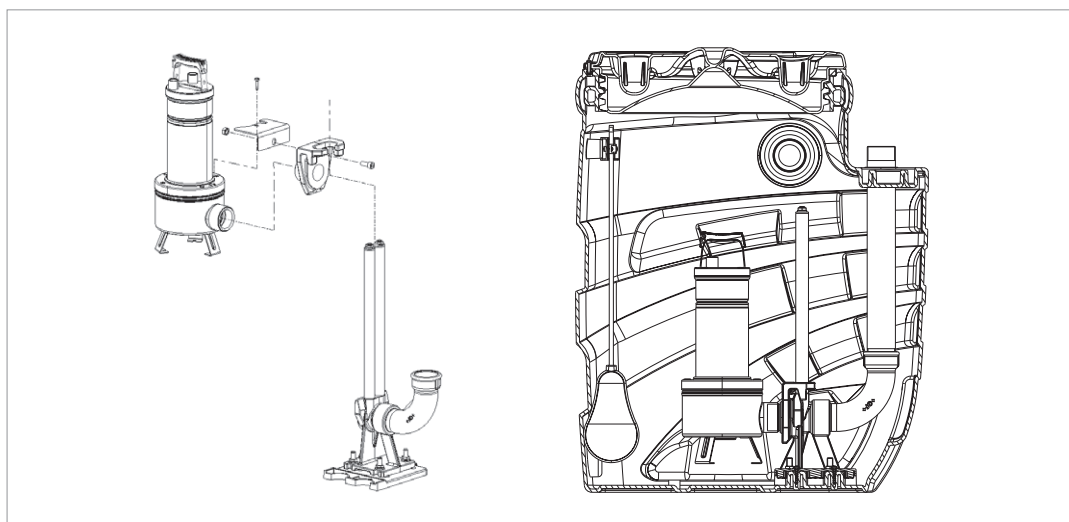
**COMPONENTS INCLUDED:**

- 2 DSD2" lifting devices and rotation prevention bracket for FEKA VS and VX
- 6 cable glands for double pump and floats
- 2 FEKA VS and VX float cable stop kits
- 3 floats and alarm float support

**COMPONENTS NOT INCLUDED**

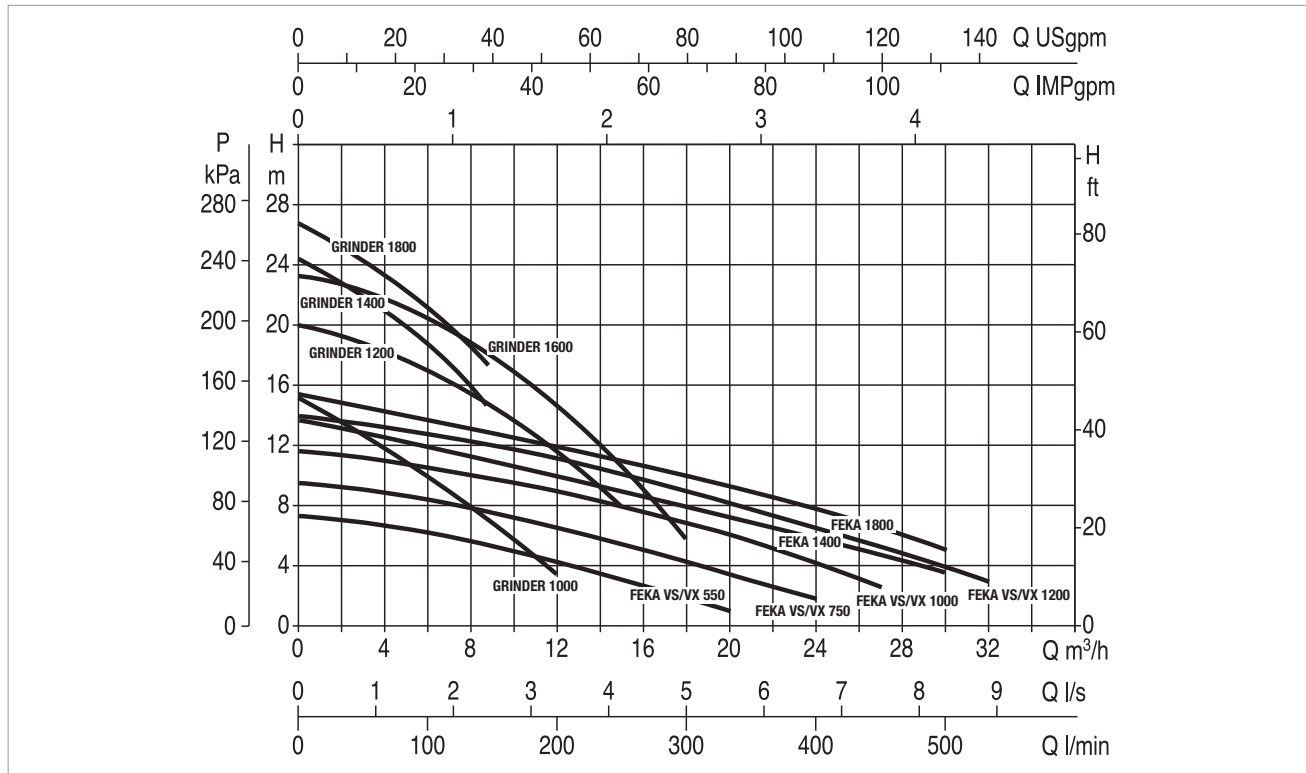
- Pump: to be selected according to the possible configurations.
- Panel: to be selected according to the possible configurations
- Overflow alarm float

### PUMP INSTALLATION



# FEKAFOS 550 DOUBLE - AUTOMATIC WASTE WATER LIFTING AND COLLECTION STATIONS

Liquid temperature range: +45 °C



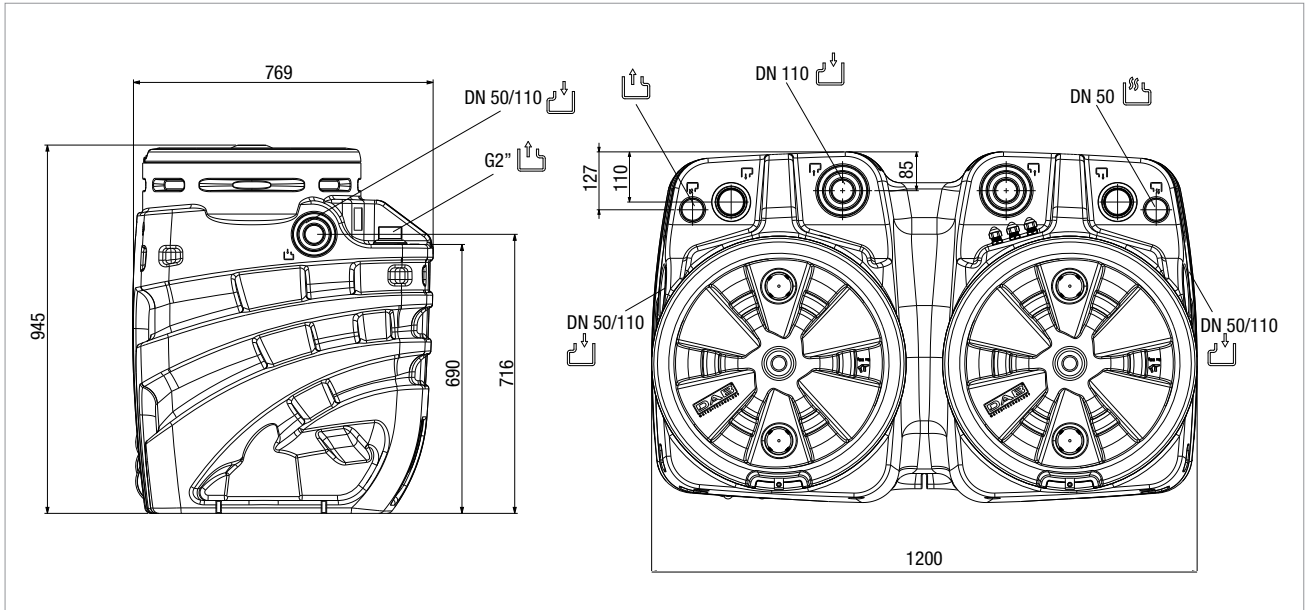
The performance curves are based on kinematic viscosity values = 1 mm<sup>2</sup>/s and density equal to 1000 kg/m<sup>3</sup>. Curve tolerance according to ISO 9906.

## CONFIGURATIONS

MODEL PUMP	ELECTRICAL DATA				PANEL MATCHING			
	POWER INPUT 50 HZ	P1 MAX KW	P2 NOMINAL		In A	E2D	E.BOX BASIC / E.BOX BASIC D	E.BOX PLUS / E.BOX PLUS D
KW	KW	HP						
FEKA VS/VX 550 M-NA	1X220 - 240 V~	0,9	0,55	0,75	4,2	E2D 2 M	.	.
FEKA VS/VX 550 T-NA	3X400 V~	0,9	0,55	0,75	1,64	E2D 2 T	.	.
FEKA VS/VX 750 M-NA	1X220 - 240 V~	1,1	0,75	1	5,13	E2D 2 M	.	.
FEKA VS/VX 750 T-NA	3X400 V~	1,1	0,75	1	1,94	E2D 2 T	.	.
FEKA VS/VX 1000 M-NA	1X220 - 240 V~	1,4	1	1,36	6,63	E2D 3 M	.	.
FEKA VS/VX 1000 T-NA	3X400 V~	1,4	1	1,36	2,51	E2D 3 T	.	.
FEKA VS/VX 1200 M-NA	1X220 - 240 V~	1,9	1,2	1,6	8,63	E2D 3 M	.	.
FEKA VS/VX 1200 T-NA	3X400 V~	1,9	1,2	1,6	3,44	E2D 3 T	.	.
FEKA 1400 M	1X220 - 240 V~	1,8	1,1	1,5	8,5	E2D 6 M 40 µF	.	.
FEKA 1800 T	3X400 V~	1,9	1,5	2,0	3,7	E2D 3 T	.	.
GRINDER 1400 M	1X220 - 240 V~	1,9	1,1	1,5	8,7	E2D 6 M HS	.	.
GRINDER 1800 T	3X400 V~	2	1,5	2,0	3,8	E2D 3 T	.	.
GRINDER 1000 M-NA	1X220 - 240 V~	1,5	1	1,3	8	E2D 3 M	.	.
GRINDER 1000 T	3X400 V~	1,6	1	1,3	2,8	E2D 3 T	.	.
GRINDER 1200 M-NA	1X220 - 240 V~	2,8	1,5	2	12,7	E2D 4 M	.	.
GRINDER 1200 T	3X400 V~	2,7	1,5	2	4,7	E2D 5 T	.	.
GRINDER 1600 M-NA	1X220 - 240 V~	3,8	1,8	2,4	16,8	E2D 4,8 M	.	.
GRINDER 1600 T	3X400 V~	3,3	1,8	2,4	5,8	E2D 5 T	.	.

# FEKAFOS 550 DOUBLE - AUTOMATIC WASTE WATER LIFTING AND COLLECTION STATIONS






Liquid temperature range: +45 °C



## SIZES AND WEIGHTS

PACKING DIMENSIONS			WEIGHT Kg
L/A	L/B	H	
790	1220	965	74

## LEGEND:

-  → Emergency output or delivery piping connection
-  → Collection piping input
-  → Power and float cable output
-  → Ventilation pipe connection
-  → Recyclable material

# FEKAFOS 1200 - 2000 - 3800

## 2 PUMP AUTOMATIC LIFTING STATIONS



### TECHNICAL DATA

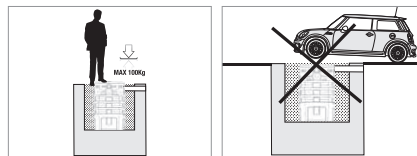
**Operating range:**

from 1 to 48 m<sup>3</sup>/h with head up to 23 metres.

**Liquid temperature range:** + 55° C.**Pumped liquid:** ground water, rain water, clear waste water, grey waste water, and river or lake water.**Installation:** Installed underground outside the building.

It cannot be driven on, but it can be walked on, maximum weight 100 kg.

See the installation information in the technical appendix.



### APPLICATIONS

Pumping stations suitable for the collection and redirection to the sewer network, of domestic drain water (waste, dirty, rain), of basements and garages, for several dwellings, when the sewer network cannot be reached due to gravity issues.

### CONSTRUCTION FEATURES

**CAPACITY:** 1200/2000/3800 l**MATERIALS:** POLYETHYLENE**CONNECTIONS**

- DN 160 input.
- Ventilation DN 50
- 2" or 2 1/2" output.

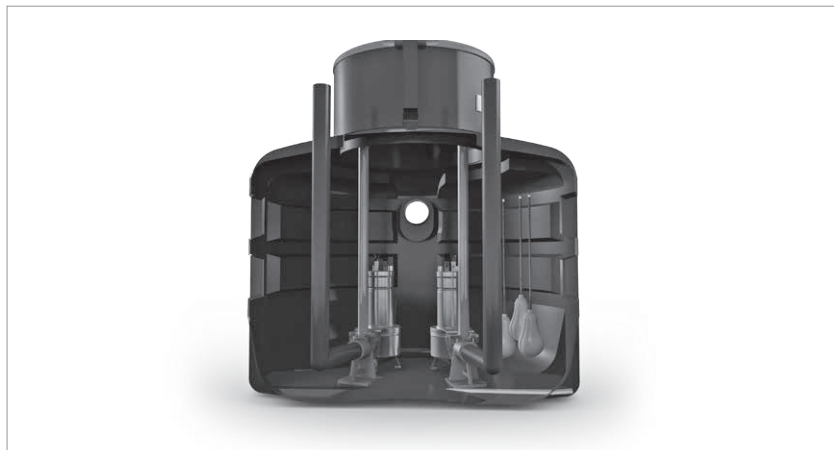
**COMPONENTS INCLUDED:**

- 2 DN 50 or DN 65 lifting devices.  
(DN 80 available on request with a dedicated tank configuration).
- 3 bulb float.
- DN 160 size T input manifold.
- 2" or 2 1/2" output manifold.
- Safety grid and cover suitable to be walked on. Maximum weight 100 kg.

**COMPONENTS NOT INCLUDED**

- Pump: to be selected according to the possible configurations.
- Alarm float available on request.
- Ball check valves installed on the inside. To enable correct and easy maintenance of the same, there is the possibility of ordering a separate polyethylene well with 2 check valves, and 2 gate valves ready for configuration with the Fekafos tank. (see Accessories).
- The height of the input of the tank can be adjusted thanks to a 300 mm elevation to be specified with the order (see Accessories).

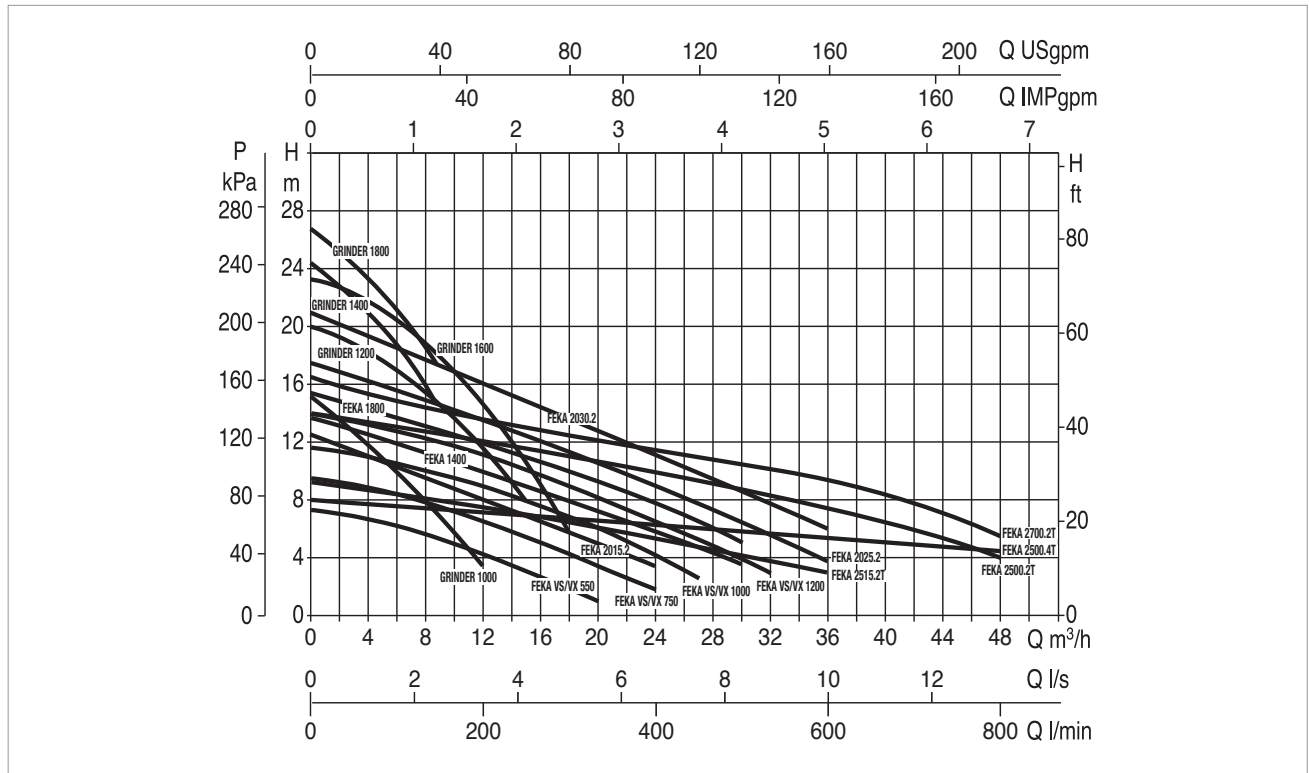
### PUMP INSTALLATION





# FEKAFOS 1200-2000-3800 - AUTOMATIC WASTE WATER LIFTING AND COLLECTION STATIONS

Liquid temperature range: +55 °C



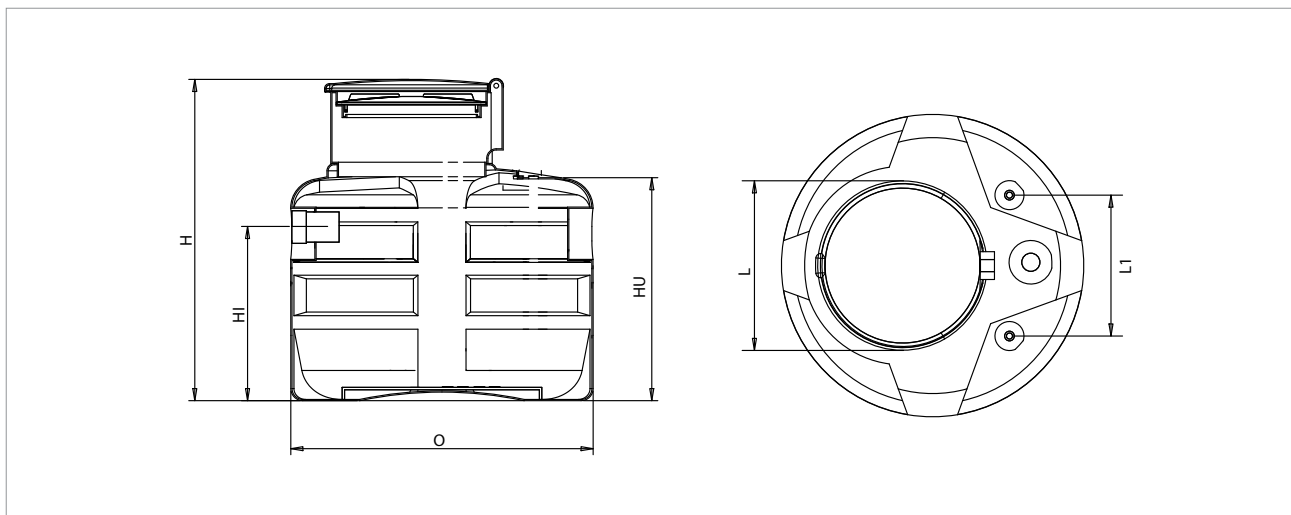
The performance curves are based on kinematic viscosity values = 1 mm<sup>2</sup>/s and density equal to 1000 kg/m<sup>3</sup>. Curve tolerance according to ISO 9906.

## CONFIGURATIONS

MODEL PUMP	ELECTRICAL DATA					PANEL MATCHING		
	POWER INPUT 50 HZ	P1 MAX KW	P2 NOMINAL		In A	E2D	E.BOX BASIC / E.BOX BASIC D	E.BOX PLUS / E.BOX PLUS D
			KW	HP				
FEKA VS/VX 550 M-NA	1X220 - 240 V~	0,9	0,55	0,75	4,2	E2D 2 M	.	.
FEKA VS/VX 550 T-NA	3X400 V~	0,9	0,55	0,75	1,64	E2D 2 T	.	.
FEKA VS/VX 750 M-NA	1X220 - 240 V~	1,1	0,75	1	5,13	E2D 2 M	.	.
FEKA VS/VX 750 T-NA	3X400 V~	1,1	0,75	1	1,94	E2D 2 T	.	.
FEKA VS/VX 1000 M-NA	1X220 - 240 V~	1,4	1	1,36	6,63	E2D 3 M	.	.
FEKA VS/VX 1000 T-NA	3X400 V~	1,4	1	1,36	2,51	E2D 3 T	.	.
FEKA VS/VX 1200 M-NA	1X220 - 240 V~	1,9	1,2	1,6	8,63	E2D 3 M	.	.
FEKA VS/VX 1200 T-NA	3X400 V~	1,9	1,2	1,6	3,44	E2D 3 T	.	.
FEKA 1400 M	1X220 - 240 V~	1,8	1,1	1,5	8,5	E2D 6 M 40 uF	.	.
FEKA 1800 T	3X400 V~	1,9	1,5	2,0	3,7	E2D 3 T	.	.
GRINDER 1400 M	1X220 - 240 V~	1,9	1,1	1,5	8,7	E2D 6 M HS	.	.
GRINDER 1800 T	3X400 V~	2	1,5	2,0	3,8	E2D 3 T	.	.
GRINDER 1000 M-NA	1X220 - 240 V~	1,5	1	1,3	8	E2D 3 M	.	.
GRINDER 1000 T	3X400 V~	1,6	1	1,3	2,8	E2D 3 T	.	.
GRINDER 1200 M-NA	1X220 - 240 V~	2,8	1,5	2	12,7	E2D 4 M	.	.
GRINDER 1200 T	3X400 V~	2,7	1,5	2	4,7	E2D 5 T	.	.
GRINDER 1600 M-NA	1X220 - 240 V~	3,8	1,8	2,4	16,8	E2D 4,8 M	.	.
GRINDER 1600 T	3X400 V~	3,3	1,8	2,4	5,8	E2D 5 T	.	.
FEKA 2015.2 M-NA	1X230 V~	1,6	1,1	1,5	8	E2D 2,6 M	.	.
FEKA 2015.2 T-NA	3X400 V~	1,5	1,1	1,5	2,8	E2D 3 T	.	.
FEKA 2025.2 T-NA	3X400 V~	2,2	1,8	2,4	4,1	E2D 5 T	.	.
FEKA 2030.2 T-NA	3X400 V~	3,3	2,2	3	5,6	E2D 5 T	.	.
FEKA 2500.4T	3X400 V~	2,8	1,4	1,9	4,9	E2D 5 T	.	.
FEKA 2515.2T	3X400 V~	1,9	1,1	1,5	3,3	E2D 3 T	.	.
FEKA 2500.2T	3X400 V~	2,8	1,8	2,4	4,7	E2D 5 T	.	.
FEKA 2700.2T	3X400 V~	3	2,18	2,9	5,7	E2D 5 T	.	.

## FEKAFOS 1200-2000-3800 - AUTOMATIC WASTE WATER LIFTING AND COLLECTION STATIONS

Liquid temperature range: +55 °C



### SIZES AND WEIGHTS











MODEL	H	HI	HU	Ø	L	L1	WEIGHT kg
FEKAFOS 1200 CP 2"	1420	730	1050	1250	680	520	110
FEKAFOS 1200 CP DN 65							
FEKAFOS 2000 CP 2"	2300	1620	1930	1250	680	520	150
FEKAFOS 2000 CP DN 65							
FEKAFOS 3800 CP 2"	1860	1270	1490	1800	680	600	170
FEKAFOS 3800 CP DN 65							

# ACCESSORIES

---

# ACCESSORIES

## AUTOMATIC PUMPING STATION

FLOATS	DESCRIPTION	
	FLOAT KEY	10 meters
		20 meters
	FLOAT CABLE STOP KIT FOR FEKA VS-VX	
ALARMS AND CONTROL	DESCRIPTION	
	AS 1 CONTROL - WITH ALARM DEVICE	
BRACKET	DESCRIPTION	
	ANTIROTATION BRACKET FOR FEKA VS-VX	
BALL NON-RETURN VALVES	DESCRIPTION	
	PVC NON-RETURN VALVE (BALL) 2" - THREADED	
	NON RETURN VALVE (BALL) 2" - THREADED	
	DN50 NON RETURN VALVE (BALL)	
	DN65 NON RETURN VALVE (BALL)	
REFLOW KIT	DESCRIPTION	
	REFLOW KIT	
SUMP EXTENTION	DESCRIPTION	
	SUMP EXTENTION - 300 MM. HIGH (ONLY FOR FEKAFOS 550)	
	SUMP EXTENTION - 300 MM. HIGH (ONLY FOR FEKAFOS 1200-2000-3800)	
INSPECTION VALVE TANK	DESCRIPTION	
	INSPECTION VALCE TANK DN 50	
	INSPECTION VALCE TANK DN 65	

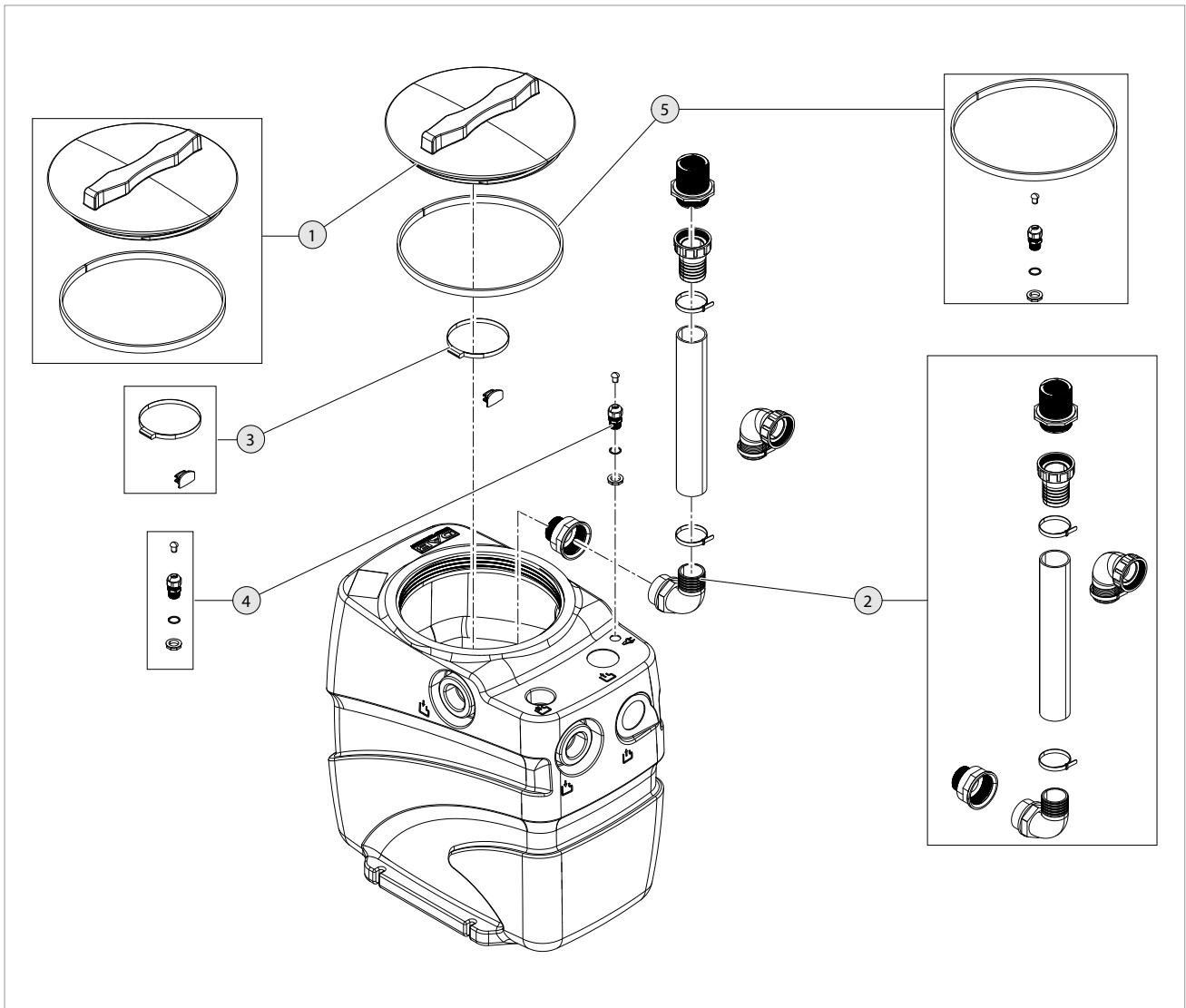
# SPARE PART

---

# SPARE PART

## AUTOMATIC PUMPING STATION

### FEKABOX 100

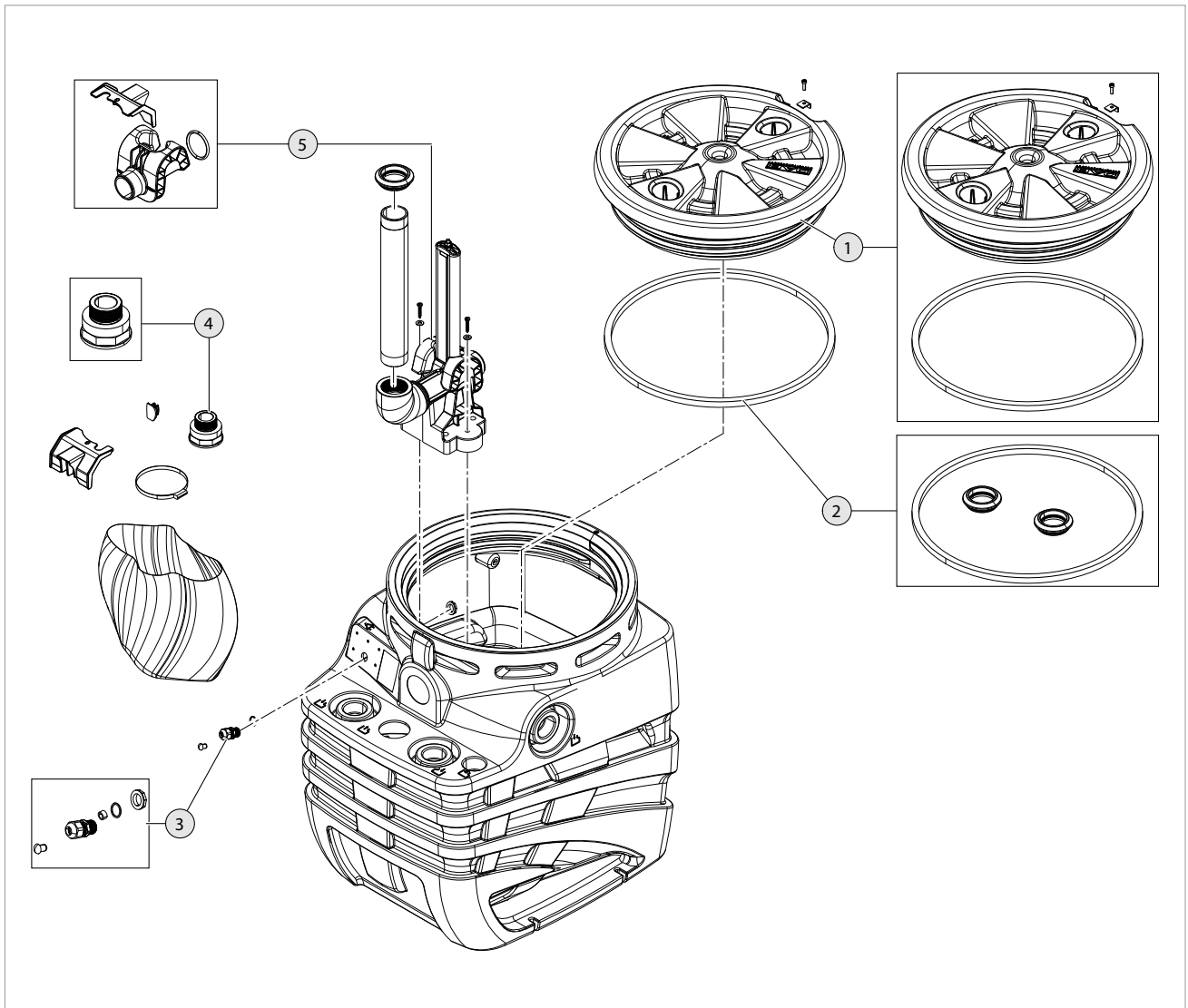


REFERENCE	CODE	DESCRIPTION	QUANTITY
1	R00010972	COVER FEKABOX 110	1
2	SP00001883	PIPING/FITTINGS FEKABOX 110	1
3	147121370	KIT CABLECLAMP FEKA 550->1200	1
4	SP00000908	CABLE GLAND M20	1
5	SP00001890	GASKET + CABLE GLAND	1

# SPARE PART

## AUTOMATIC PUMPING STATION

### FEKABOX 200

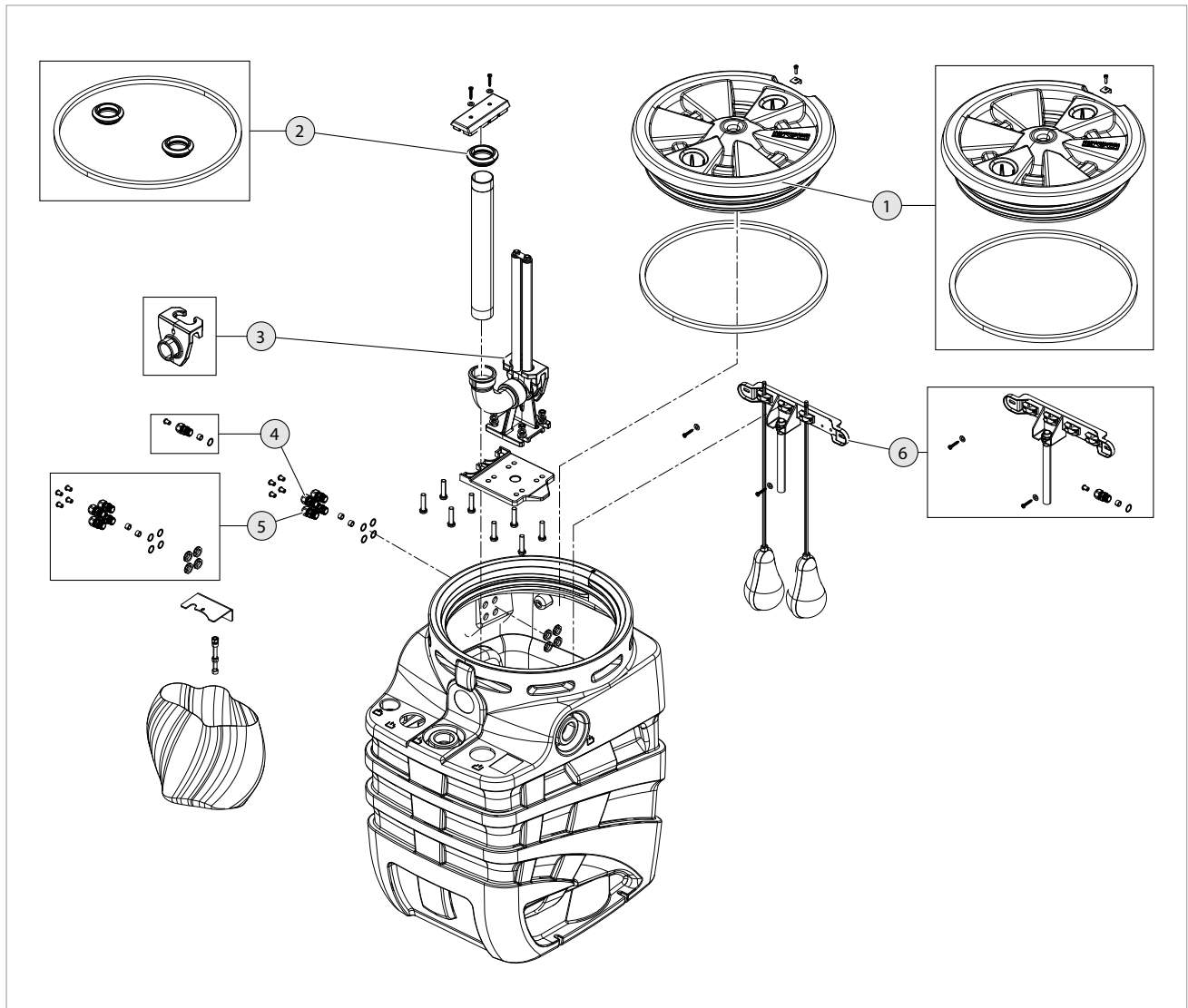


REFERENCE	CODE	DESCRIPTION	QUANTITY
1	SP00000906	COVER FEKABOX-FEKAFOS	1
2	SP00000907	KIT GASKETS	1
3	SP00000908	CABLE GLAND M20	1
4	SP00000909	FITTING 2" F X 1" 1/4M PP	1
5	SP00000932	MOBILE PART 2" PP	1

# SPARE PART

## AUTOMATIC PUMPING STATION

### FEKAFOS 280



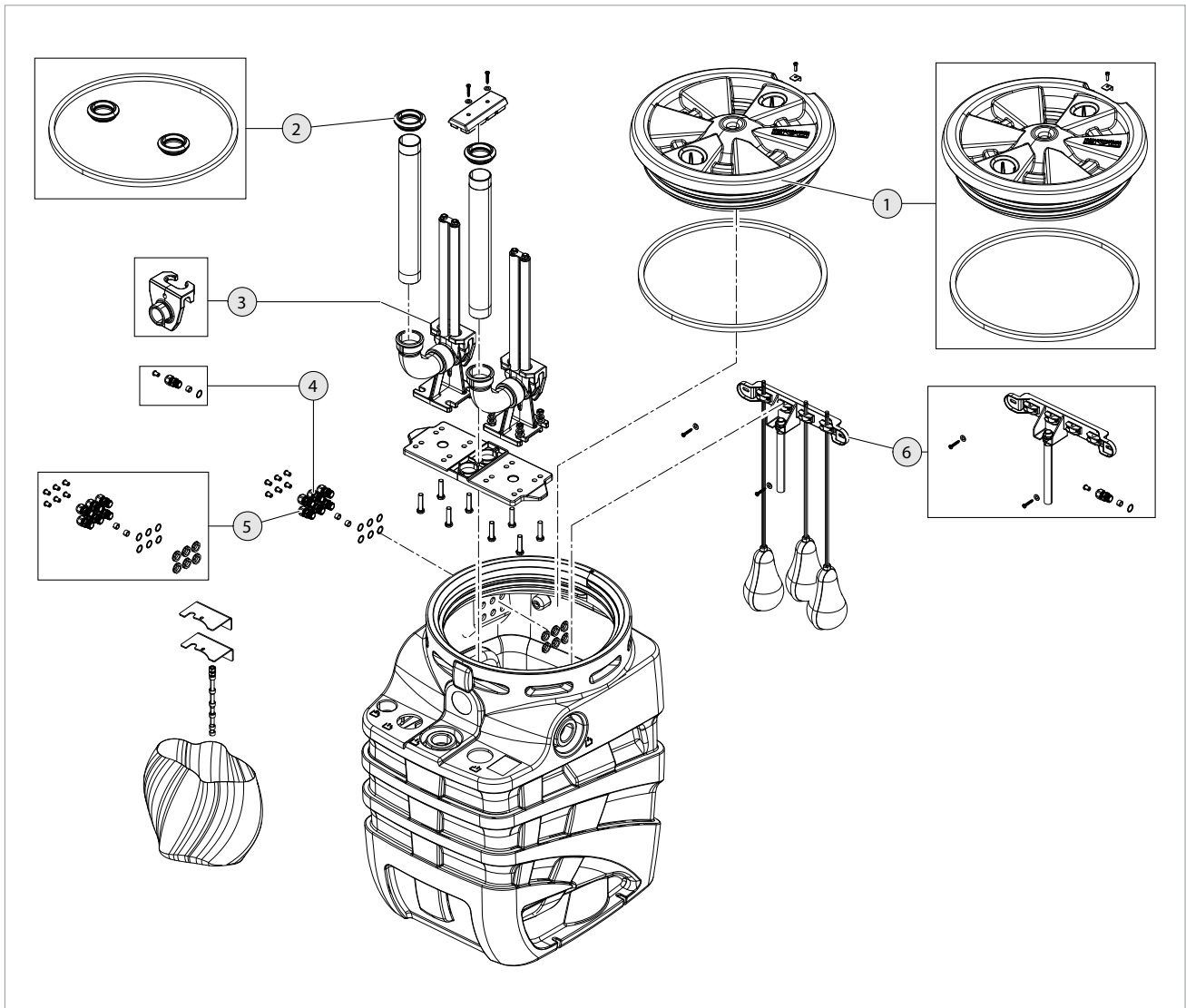
REFERENCE	CODE	DESCRIPTION	QUANTITY
1	SP00000906	COVER FEKABOX-FEKAFOS	1
2	SP00000907	KIT GASKETS	1
3	SP00000930	DSD 2 MOBILE PART	1
4	SP00000908	CABLE GLAND M20	1
5	SP00000931	CABLE GLAND M20 - 4PZ	1
6	SP00000910	PLATE-FLOATSW. SUPPORT	1



# SPARE PART

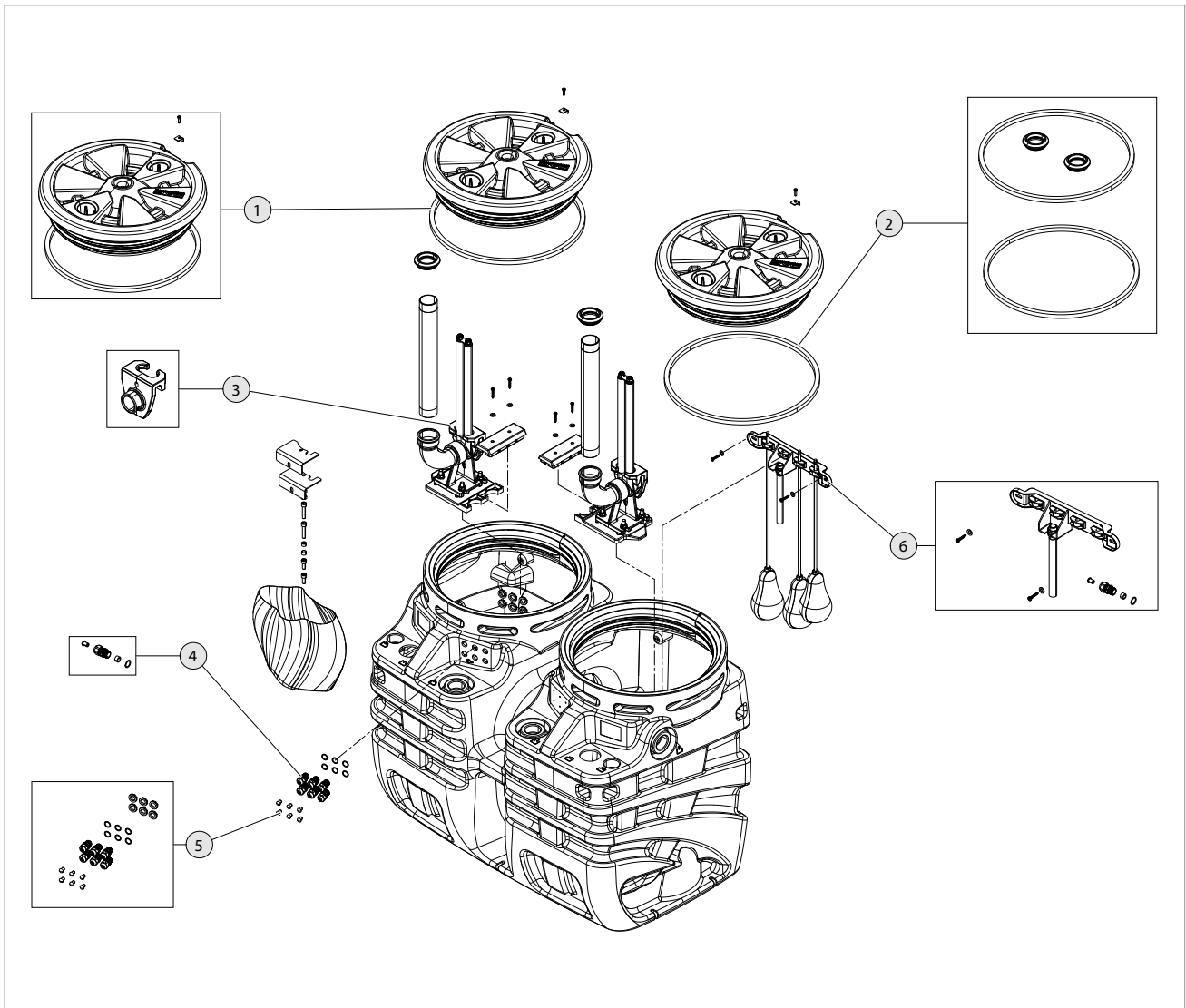
## AUTOMATIC PUMPING STATION

### FEKAFOS 280 DOUBLE



REFERENCE	CODE	DESCRIPTION	QUANTITY
1	SP00000906	COVER FEKABOX-FEKAFOS	1
2	SP00000907	KIT GASKETS	1
3	SP00000930	DSD 2 MOBILE PART	1
4	SP00000908	CABLE GLAND M20	1
5	SP00000911	CABLE GLAND M20 - 6PZ	1
6	SP00000910	PLATE-FLOATSW. SUPPORT	1

### FEKAFOS 550 DOUBLE



REFERENCE	CODE	DESCRIPTION	QUANTITY
1	SP00000906	COVER FEKABOX-FEKAFOS	1
2	SP00001891	KIT GASKETS	1
3	SP00000930	DSD 2 MOBILE PART	1
4	SP00000908	CABLE GLAND M20	1
5	SP00000911	CABLE GLAND M20 - 6PZ	1
6	SP00000910	PLATE-FLOATSW. SUPPORT	1

---

# TECHNICAL APPENDIX

---

### UNI EN 12050-1

#### PRINCIPLES OF CONSTRUCTION AND TESTING OF LIFTING PLANTS FOR WASTEWATER CONTAINING FAECAL MATTER

##### SUMMARY

The standard applies to lifting plants for wastewater containing faecal matter, which can also be used for the treatment of wastewater not containing faecal matter, for the drainage of locations, of buildings, and sites below the high water mark to avoid eventual backflow of sewage into the building. This part of the European standard contains general requirements, the basic principles for the construction and testing, as well as information on materials and conformity assessments.

##### TANK REQUIREMENTS

Except for the regard of the inlet openings, outlet and ventilation, the collecting tanks must be closed, water and air (odor) tight. The interior of the tank of a collection system for faecal material can be regarded as an area containing potentially explosive gas. In this sense the tank and other mechanical fittings are not subject to any particular requirements as long as you take the necessary measures to prevent explosions inside the tank.

##### PRINCIPLES OF CONSTRUCTION

###### Pumping of solids

Lifting plants for faecal matter must be capable of pumping wastewater as defined in EN 12056-1, including all solid material generally contained in domestic wastewater. They must be designed in such a way as to avoid the accumulation of solid material.

###### Connection of tubes

The size of the input connections, drainage and ventilation systems must permit the use of standard-sized tubes. The fittings must be flexible and able to withstand the maximum pressure of the pump outlet without leakage.

###### Minimum size of ventilation pipes

The ventilation pipes must have a minimum nominal diameter DN 50.

###### Minimum step of the system

The free passage in the lifting system for faecal material, anywhere between the faecal material in the system and the pumping device, must be at least 40 mm.

###### Minimum size of the drain connection for lifting plants for faecal matter without maceration

The discharge connection of lifting plants for faecal material without maceration must be at least DN 80. The free passage of the non-return valve must be at least 60mm. When necessary, the drain connection must be at least equal to DN 50 and the free passage of the non-return valve must be at least 50 mm.

###### Minimum size of the drain pipes of lifting plants for faecal material with maceration

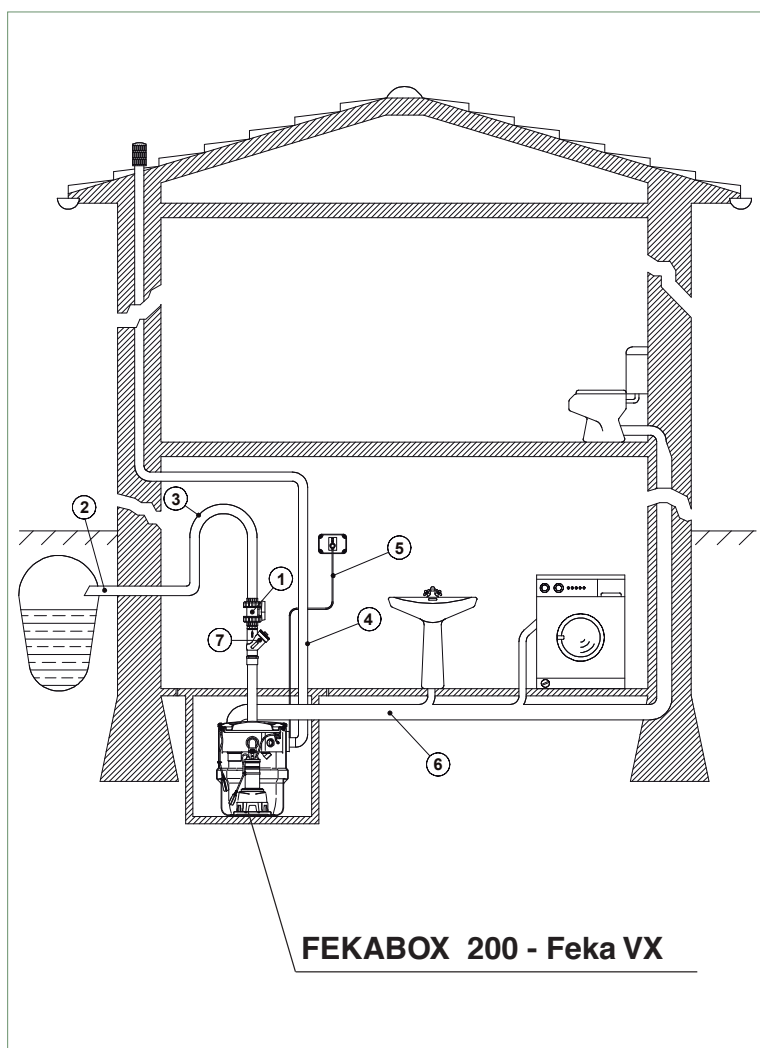
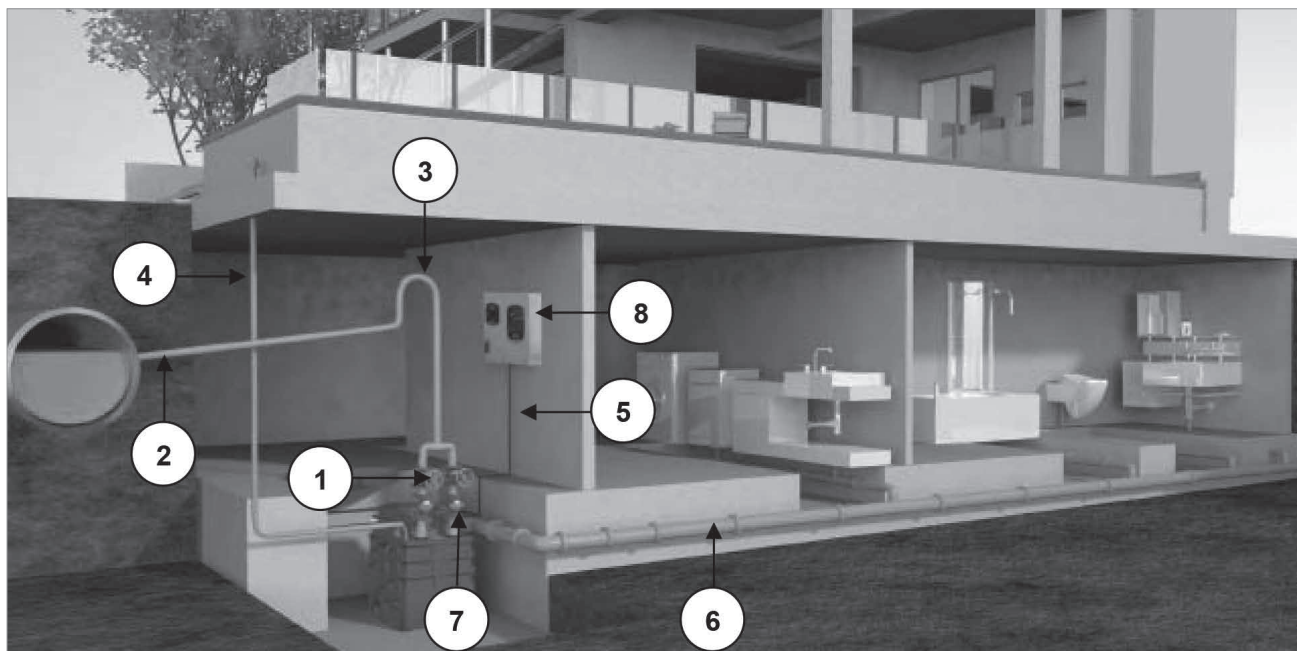
The drain connections, the exhaust pipes and the non-return valve of lifting plants for faecal material with maceration must be at least in diameter DN 32.

###### Fasteners

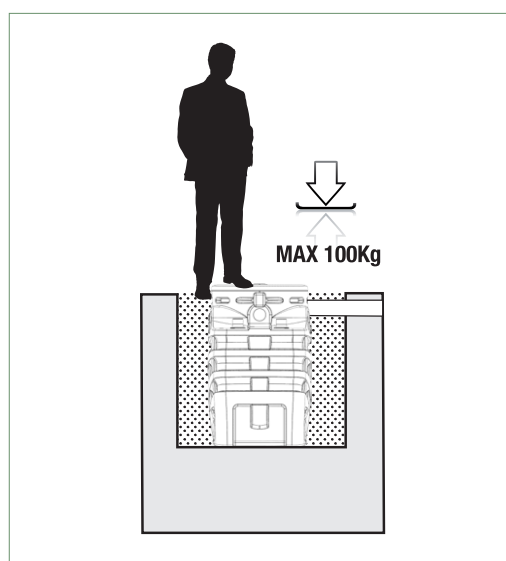
Lifting plants for faecal matter must include fasteners in order to prevent rotation or flotation.

### INSTALLATION EXAMPLES

The installation can be carried out on the surface or underground, where it is required to overcome soil barriers to connection to sewerage networks even from a distance. FEKAFOS can be installed in basements, garages, underground wells.



REFERENCE	DESCRIPTON
1	Interception ball or gate valve
2	Delivery
3	Siphon
4	Ventilation
5	Power Cable
6	Collecting pipe
7	No Return Valve
8	E-BOX control panel (only for fekafos models)



Outdoor installation without underground structure with sand. Walkable

# TECHNICAL APPENDIX

## AUTOMATIC PUMPING STATION

STORMWATER		WET SURFACE AREA (m <sup>2</sup> )		
LEVEL DIFFERENCE (m)	0-25	25-45	45-70	
0,0	NOVA 180	NOVA 200 NOVA 300	FEKA 600	
1,0				
2,0				
3,0				
4,0	NOVA 200 NOVA 300	FEKA 600	NOVA 600	
5,0				
5,5	FEKA 600	FEKA 600		
6,0	NOVA 600	NOVA 600		
7,0				
8,0				

STORMWATER		WET SURFACE AREA (m <sup>2</sup> )			
LEVEL DIFFERENCE (m)	0 - 25	25 - 45	45 - 70	70 - 90	
0,0	FEKA VS-VX 550	FEKA VS-VX 550	FEKA VS-VX 550	2 x FEKA VS-VX 550	
0,5					
1,0					
1,5					
2,0					
2,5					
3,0					
3,5					
4,0					
4,5					
5,0	FEKA VS-VX 750	FEKA VS-VX 750	FEKA VS-VX 750	2 x FEKA VS-VX 750	
5,5					
6,0					
6,5	FEKA VS-VX 1000	FEKA VS-VX 1000	FEKA VS-VX 1000	2 x FEKA VS-VX 1000	
7,0					
7,5					
8,0	FEKA VS-VX 1200	FEKA VS-VX 1200	FEKA VS-VX 1200	2 x FEKA VS-VX 1200	
8,5					
9,0					
9,5					
10,0					
10,5					
11,0					
11,5					
12,0					
12,5					

	FEKABOX 100
	FEKABOX / FEKAFOS 200
	FEKABOX / FEKAFOS 280
	FEKAFOS 280 DOUBLE
	FEKAFOS 550

# TECHNICAL APPENDIX

## AUTOMATIC PUMPING STATION

SEWERAGE	TYPE OF RESIDENCE			
	LEVEL DIFFERENCE (m)	Kitchen or bathroom	Kitchen + bathroom	Kitch. + 2 bathrooms
0,0	FEKA VS 550	FEKA VS - VX 550	FEKA VS - VX 550	1
0,5				
1,0				
1,5				
2,0				
2,5				
3,0				
3,5				
4,0				
4,5				
5,0				
5,5				
6,0				
6,5				
7,0				
	FEKA VS 750	FEKA VS - VX 750	FEKA VS - VX 750	

LEVEL DIFFERENCE (m)	TYPE OF RESIDENCE			N° OF RESIDENTIAL UNITS	
	Kitchen + bathroom	Kitch. + 2 bathrooms	Kitch. + 3 bathrooms		
0,0	FEKA VS-VX 550 ELECTRICAL PANELS: ED1,3M ED1,3T	FEKA VS-VX 550 ELECTRICAL PANELS: ED1,3M ED1,3T + ANTIROTATION BASE	2 x FEKA VS-VX 550 ELECTRICAL PANELS: E-BOX + 2 ANTIROTATION BASES	2 x FEKA VS-VX 550 ELECTRICAL PANELS: E-BOX + 2 ANTIROTATION BASES	1
0,5					
1,0					
1,5					
2,0					
2,5					
3,0					
3,5					
4,0					
4,5					
5,0					
5,5					
6,0					
6,5					
7,0					
	FEKA VS-VX 750 ELECTRICAL PANELS: ED1,3M ED1,3T	FEKA VS-VX 750 ELECTRICAL PANELS: ED1,3M ED1,3T + ANTIROTATION BASE	2 x FEKA VS-VX 750 ELECTRICAL PANELS: E-BOX + 2 ANTIROTATION BASES	2 x FEKA VS-VX 750 ELECTRICAL PANELS: E-BOX + 2 ANTIROTATION BASES	
7,5					
8,0					
8,5					
9,0					
9,5					
10,0					
10,5					
11,0					
11,5					
	FEKA VS-VX 1000 ELECTRICAL PANELS: ED1,3M ED1,3T	FEKA VS-VX 1000 ELECTRICAL PANELS: ED1,3M ED1,3T + ANTIROTATION BASE	2 x FEKA VS-VX 1000 ELECTRICAL PANELS: E-BOX + 2 ANTIROTATION BASES	2 x FEKA VS-VX 1000 ELECTRICAL PANELS: E-BOX + 2 ANTIROTATION BASES	
	FEKA VS-VX 1200 ELECTRICAL PANELS: ED1,3M ED1,3T	FEKA VS-VX 1200 ELECTRICAL PANELS: ED1,3M ED1,3T + ANTIROTATION BASE	2 x FEKA VS-VX 1200 ELECTRICAL PANELS: E-BOX+ 2 ANTIROTATION BASES	2 x FEKA VS-VX 1200 ELECTRICAL PANELS: E-BOX+ 2 ANTIROTATION BASES	

# TECHNICAL APPENDIX

## AUTOMATIC PUMPING STATION

LEVEL DIFFERENCE (m)	TYPE OF RESIDENCE			N° OF RESIDENTIAL UNITS
	Kitchen + bathroom	Kitch. + 2 bathrooms	Kitch. + 3 bathrooms	
0,0	2 x FEKA VS-VX 750 ELECTRICAL PANELS: E-BOX + 2 ANTIROTATION BASES	2 x FEKA VS-VX 1200 ELECTRICAL PANELS: E-BOX + 2 ANTIROTATION BASES	2 x FEKA VS-VX 1200 ELECTRICAL PANELS: E-BOX + 2 ANTIROTATION BASES	2
0,5				
1,0				
1,5				
2,0				
2,5				
3,0				
3,5				
4,0	2 x FEKA VS-VX 1000 ELECTRICAL PANELS: E-BOX + 2 ANTIROTATION BASES			
4,5				
5,0				
5,5	2 x FEKA VS-VX 1200 ELECTRICAL PANELS: E-BOX + 2 ANTIROTATION BASES			
6,0				
6,5				
7,0				
7,5				
8,0				

Maximum volume of waste water in single-family domestic systems

Kitchen + bathroom = 7 m<sup>3</sup>/h

Kitchen + 2 bathrooms = 12 m<sup>3</sup>/h

Kitchen + 3 bathrooms = 16 m<sup>3</sup>/h

For selection of these lifting stations we considered a drainage pipeline length of 20 metres and the same diameter of the discharge port as the corresponding FEKA unit.

\*\* To install FEKAFOS consider the electrical panels shown in the annexed tables.

\*\* For greater lengths consult the technical department.

Surfaces (m <sup>2</sup> )	0 - 25	25 - 45	45 - 70	70 - 90
Flow Rate (m <sup>3</sup> /h)	0 - 3	3 - 5,5	5,5 - 8,4	8,4 - 10,8

\*\* For calculation of stormwater pumps we considered average annual rainfall of 120 mm/h

### VOLUME OF CISTERN IN SYSTEMS FOR TREATMENT OF EFFLUENT AND STORM WATER:

$$V \text{ (litres)} = \frac{0,3 \times Q \text{ (m}^3\text{/h)} \times 1000}{\text{N}^\circ \text{ starts / hour}}$$

**V** = Cistern volume in litres.

**Q** = Pump flow rate in m<sup>3</sup>/h.

**N° of starts** = consider 12.

For selection of these lifting stations we considered a drainage pipeline length of 20 metres and the same diameter of the discharge port as the corresponding FEKA unit.

These tables show some examples based on standard value. For a correct selection, please contact our sales network.









# DNA<sup>®</sup>

PUMPS SELECTOR



## On-line selection tool



**DAB PUMPS LTD.**

Unit 4 and 5, Stortford Hall Industrial Park,  
Dunmow Road,  
Bishops Stortford,  
Herts  
CM23 5GZ - UK  
salesuk@dwtgroup.com  
Tel. +44 1279 652 776  
Fax +44 1279 657 727



**DAB PUMPS IBERICA S.L.**

Avenida de Castilla nr.1 Local 14  
28830 - San Fernando De Henares - Madrid  
Spain  
info.spain@dwtgroup.com  
Tel. +34 91 6569545  
Fax: +34 91 6569676



**DAB PUMPS INC.**

3226 Benchmark Drive  
Ladson, SC 29456 - USA  
info.usa@dwtgroup.com  
Tel. 1-843-824-6332  
Toll Free 1-866-896-4DAB (4322)  
Fax 1-843-797-3366



**DAB PUMPS B.V.**

Brusselstraat 150  
B-1702 Groot-Bijgaarden - Belgium  
info.belgium@dwtgroup.com  
Tel. +32 2 4668353  
Fax +32 2 4669218



**DAB PRODUCTION HUNGARY KFT.**

H-8800  
Nagykanizsa, Buda Ernó u.5  
Hungary  
Tel. +36 93501700



**DWT SOUTH AFRICA**

Podium at Menlyn,  
3rd Floor, Unit 3001b, 43 Ingersol Road,  
C/O Lois and Atterbury street,  
Menlyn, Pretoria, 0181 - South-Africa  
info.sa@dwtgroup.com  
Tel. +27 12 361 3997  
Fax +27 12 361 3137



**DAB PUMPS POLAND Sp. z o.o.**

Mokotow Marynarska  
ul. Postępu 15C  
02-676 Warszawa - Poland  
Tel. +48 223 81 6085



**DAB PUMPS CHINA**

No.40 Kaituo Road, Qingdao Economic & Technological  
Development Zone  
Qingdao City, Shandong Province - China  
PC: 266500  
info.china@dwtgroup.com  
Tel. +8653286812030-6270  
Fax +8653286812210



**DAB PUMPS B.V.**

Albert Einsteinweg, 4  
5151 DL Drunen - Nederland  
info.netherlands@dwtgroup.com  
Tel. +31 416 387280  
Fax +31 416 387299



**DAB UKRAINE Representative Office**

Regus Horizon Park  
4 M. Hrinchenka St, suit 147  
03680 Kiev - Ukraine  
Tel. +38 044 391 59 43



**DAB PUMPEN DEUTSCHLAND GmbH**

Tackweg 11  
D - 47918 Tönisvorst - Germany  
info.germany@dwtgroup.com  
Tel. +49 2151 82136-0  
Fax +49 2151 82136-36



**OOO DAB PUMPS**

Novgorodskaya str. 1, block G  
office 308, 127247, Moscow - Russia  
info.russia@dwtgroup.com  
Tel. +7 495 122 0035  
Fax +7 495 122 0036



**DAB PUMPS DE MÉXICO, S.A. DE C.V.**

Av Gral Álvaro Obregón 270, oficina 355  
Hipódromo, Cuauhtémoc 06100  
México, D.F.  
Tel. +52 55 6719 0493