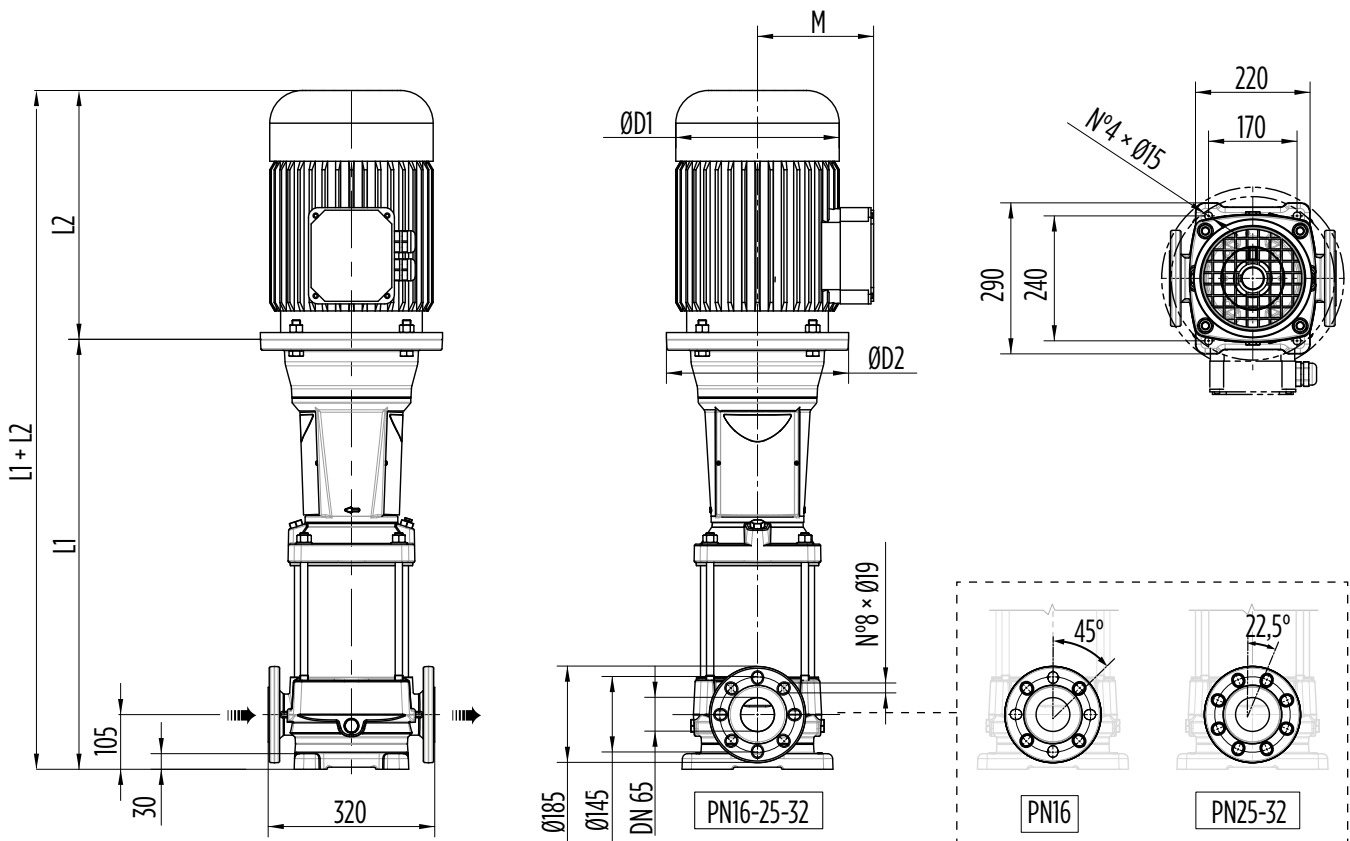
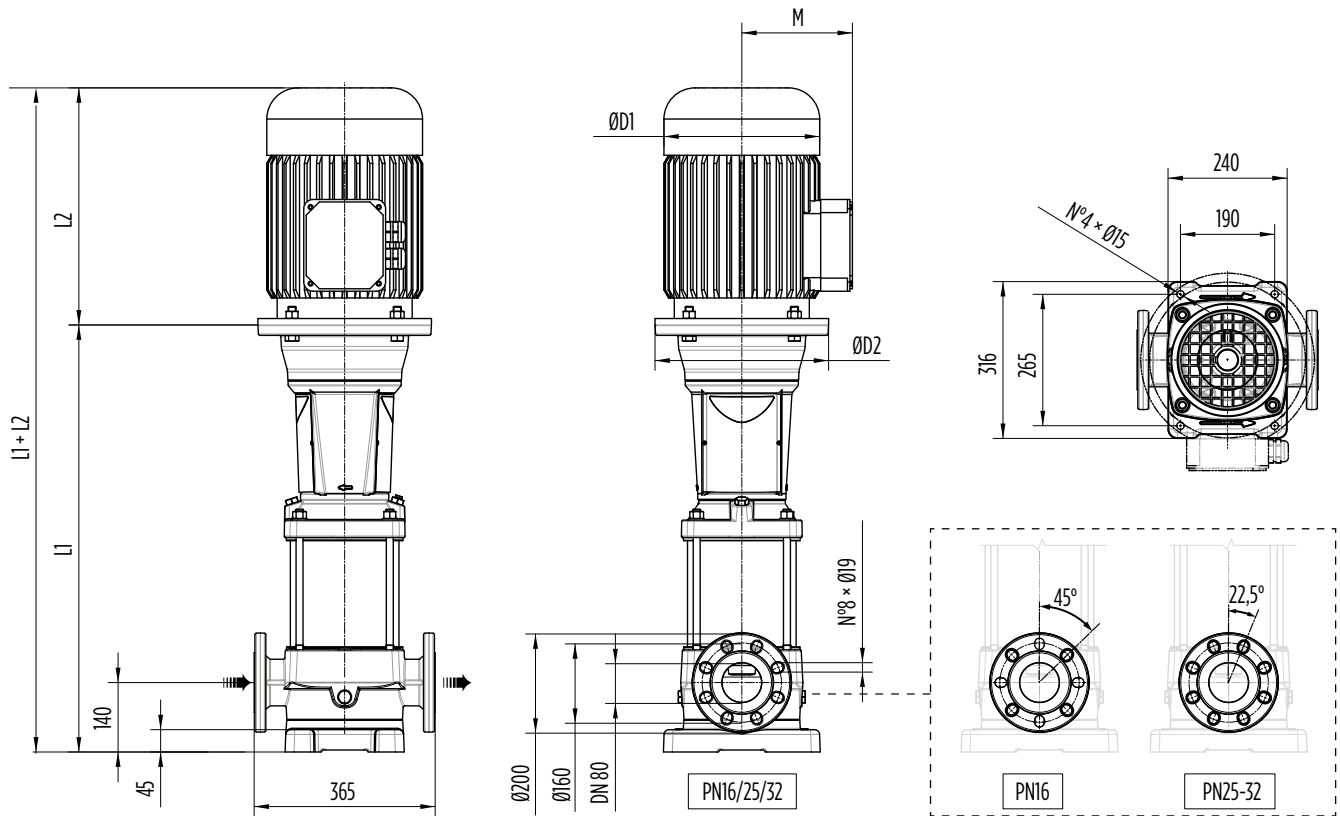


ULTRA 35 HS/HX



The pump is supplied without counterflanges (optional accessories, including bolts and joints)

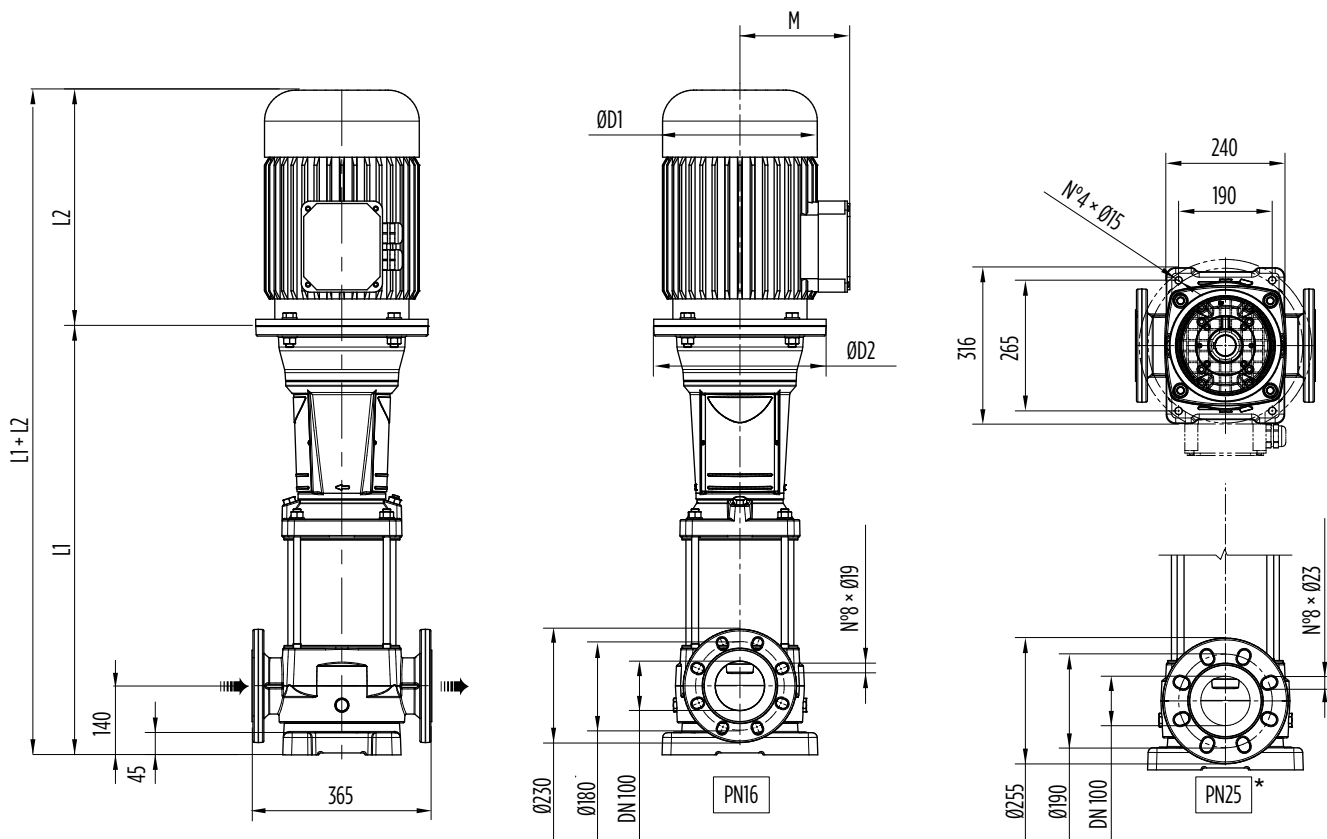
U 35... HS/HX	MOTOR		DIMENSIONS (mm)						Kg		
	kW	Dim	L1	L2	M	D1	D2	L1+L2	Pump	Motor	Electric Pump
U 35...-300/1T	2,2	90	445	288	138	177	170	733	48,5	26	74,5
U 35...-550/2-2RT	4	112	537	330	172	220	170	867	53	43	96
U 35...-550/2-1RT	4	112	537	330	172	220	170	867	53	43	96
U 35...-750/2T	5,5	132	724	380	192	256	300	1104	73,5	66	139,5
U 35...-750/3-2RT	5,5	132	806	380	192	256	300	1186	77,5	66	143,5
U 35...-1000/3-1RT	7,5	132	806	380	192	256	300	1186	77,5	73	150,5
U 35...-1000/3T	7,5	132	806	380	192	256	300	1186	77,5	73	150,5
U 35...-1000/4-2RT	7,5	132	888	380	192	256	300	1268	81,5	73	154,5
U 35...-1500/4-1RT	11	160	908	505	265	315	350	1413	84	120	204
U 35...-1500/4T	11	160	908	505	265	315	350	1413	84	120	204
U 35...-1500/5-2RT	11	160	991	505	265	315	350	1496	88	120	208
U 35...-1500/5-1RT	11	160	991	505	265	315	350	1496	88	120	208
U 35...-2000/5T	15	160	991	505	265	315	350	1496	88	132	220
U 35...-2000/6-2RT	15	160	1073	505	265	315	350	1578	92	132	224
U 35...-2000/6-1RT	15	160	1073	505	265	315	350	1578	92	132	224
U 35...-2000/6T	15	160	1073	505	265	315	350	1578	92	132	224
U 35...-2000/7-2RT	15	160	1155	505	265	315	350	1660	96	132	228
U 35...-2000/7-1RT	15	160	1155	505	265	315	350	1660	96	132	228
U 35...-2500/7T	18,5	160	1155	600	265	315	350	1755	96	150	246
U 35...-2500/8-2RT	18,5	160	1237	600	265	315	350	1837	100	150	250
U 35...-2500/8-1RT	18,5	160	1237	600	265	315	350	1837	100	150	250
U 35...-2500/8T	18,5	160	1237	600	265	315	350	1837	100	150	250
U 35...-3000/9-2RT	22	180	1319	620	280	360	350	1939	104,5	205	309,5
U 35...-3000/9-1RT	22	180	1319	620	280	360	350	1939	104,5	205	309,5
U 35...-3000/9T	22	180	1319	620	280	360	350	1939	104,5	205	309,5
U 35...-3000/10-2RT	22	180	1401	620	280	360	350	2021	108,5	205	313,5
U 35...-3000/10-1RT	22	180	1401	620	280	360	350	2021	108,5	205	313,5
U 35...-4000/10T	30	200	1406	661	310	400	400	2067	112	250	362
U 35...-4000/11-2RT	30	200	1488	661	310	400	400	2149	116	250	366
U 35...-4000/11-1RT	30	200	1488	661	310	400	400	2149	116	250	366
U 35...-4000/11T	30	200	1488	661	310	400	400	2149	116	250	366
U 35...-4000/12-2RT	30	200	1570	661	310	400	400	2231	119,5	250	369,5
U 35...-4000/12-1RT	30	200	1570	661	310	400	400	2231	119,5	250	369,5
U 35...-4000/12T	30	200	1570	661	310	400	400	2231	119,5	250	369,5
U 35...-4000/13-2RT	30	200	1652	661	310	400	400	2313	123,5	250	373,5
U 35...-4000/13-1RT	30	200	1652	661	310	400	400	2313	123,5	250	373,5
U 35...-4000/13T	30	200	1652	661	310	400	400	2313	123,5	250	373,5



The pump is supplied without counterflanges (optional accessories, including bolts and joints)

U 50... HS/HX	MOTOR		DIMENSIONS (mm)						Kg		
	kW	Dim	L1	L2	M	D1	D2	L1+L2	Pump	Motor	Electric Pump
U 50...-400/1-1RT	3	100	490	313	150	205	170	803	55	35	90
U 50...-550/1T	4	112	490	330	172	220	170	820	55	43	98
U 50...-750/2-2RT	5,5	132	759	380	192	256	300	1139	79	66	145
U 50...-1000/2T	7,5	132	759	380	192	256	300	1139	79	73	152
U 50...-1500/3-2RT	11	160	861	505	265	315	350	1366	86	120	206
U 50...-1500/3T	11	160	861	505	265	315	350	1366	86	120	206
U 50...-2000/4-2RT	15	160	943	505	265	315	350	1448	90	132	222
U 50...-2000/4T	15	160	943	505	265	315	350	1448	90	132	222
U 50...-2500/5-2RT	18,5	160	1026	600	265	315	350	1626	94	150	244
U 50...-2500/5T	18,5	160	1026	600	265	315	350	1626	94	150	244
U 50...-3000/6-2RT	22	180	1108	620	280	360	350	1728	98,5	205	303,5
U 50...-3000/6T	22	180	1108	620	280	360	350	1728	98,5	205	303,5
U 50...-4000/7-2RT	30	200	1195	661	310	400	400	1856	105,5	250	355,5
U 50...-4000/7T	30	200	1195	661	310	400	400	1856	105,5	250	355,5
U 50...-4000/8-2RT	30	200	1277	661	310	400	400	1938	109,5	250	359,5
U 50...-4000/8T	30	200	1277	661	310	400	400	1938	109,5	250	359,5
U 50...-5000/9-2RT	37	200	1359	661	310	400	400	2020	113,5	270	383,5
U 50...-5000/9T	37	200	1359	661	310	400	400	2020	113,5	270	383,5
U 50...-5000/10-2RT	37	200	1441	661	310	400	400	2102	117,5	270	387,5
U 50...-5000/10T	37	200	1441	661	310	400	400	2102	117,5	270	387,5
U 50...-6000/11-2RT	45	225	1523	710	330	450	450	2233	124,5	315	439,5
U 50...-6000/11T	45	225	1523	710	330	450	450	2233	124,5	315	439,5
U 50...-6000/12-2RT	45	225	1605	710	330	450	450	2315	128,5	315	443,5
U 50...-6000/12T	45	225	1605	710	330	450	450	2315	128,5	315	443,5
U 50...-6000/13-2RT	45	225	1687	710	330	450	450	2397	132,5	315	447,5

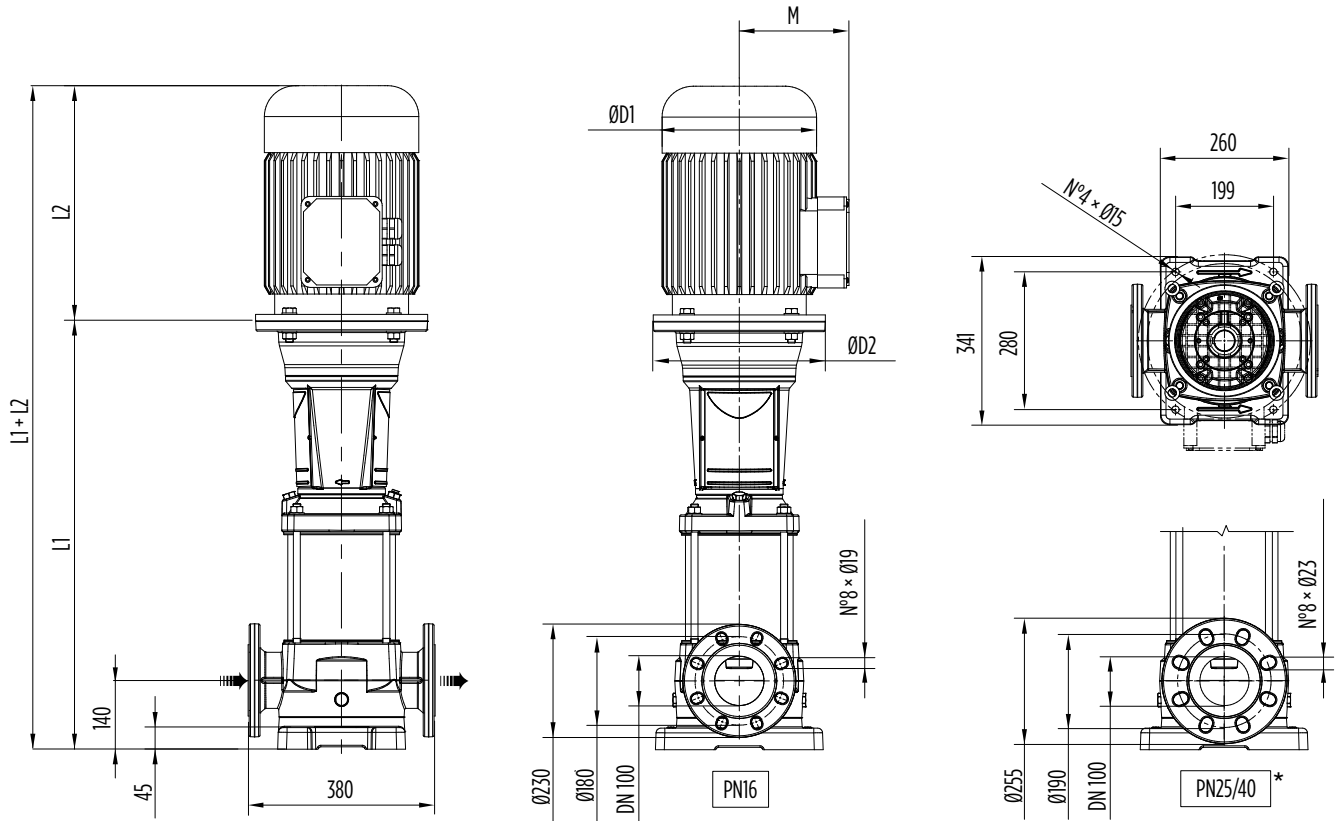
ULTRA 75 HS/HX



The pump is supplied without counterflanges (optional accessories, including bolts and joints)

\*Available from U 75/1-1R to U 75/6-1R

U 75... HS/HX	MOTOR		DIMENSIONS (mm)						Kg		
	kW	Dim	L1	L2	M	D1	D2	L1+L2	Pump	Motor	Electric Pump
U 75...-550/1-1RT	4	112	550	330	172	220	170	880	61	43	104
U 75...-750/1T	5,5	132	737	380	192	256	300	1117	81	66	147
U 75...-1000/2-2RT	7,5	132	829	380	192	256	300	1209	85,5	73	158,5
U 75...-1500/2-1RT	11	160	849	505	265	315	350	1354	88,5	120	208,5
U 75...-1500/2T	11	160	849	505	265	315	350	1354	88,5	120	208,5
U 75...-2000/3-2RT	15	160	941	505	265	315	350	1446	93	132	225
U 75...-2000/3-1RT	15	160	941	505	265	315	350	1446	93	132	225
U 75...-2500/4-2RT	18,5	160	941	600	265	315	350	1541	93	150	243
U 75...-2500/4-1RT	18,5	160	1033	600	265	315	350	1633	97,5	150	247,5
U 75...-3000/4-1RT	22	180	1033	620	280	360	350	1653	98	205	303
U 75...-3000/4T	22	180	1033	620	280	360	350	1653	98	205	303
U 75...-4000/5-2RT	30	200	1131	661	310	400	400	1792	105,5	250	355,5
U 75...-4000/5-1RT	30	200	1131	661	310	400	400	1792	105,5	250	355,5
U 75...-4000/5T	30	200	1131	661	310	400	400	1792	105,5	250	355,5
U 75...-4000/6-2RT	30	200	1223	661	310	400	400	1884	110	250	360
U 75...-5000/6-1RT	37	200	1223	661	310	400	400	1884	110	270	380
U 75...-5000/6T	37	200	1223	661	310	400	400	1884	110	270	380
U 75...-5000/7-2RT	37	200	1315	661	310	400	400	1976	114,5	270	384,5
U 75...-5000/7-1RT	37	200	1315	661	310	400	400	1976	114,5	270	384,5
U 75...-6000/7T	45	225	1315	710	330	450	450	2025	117,5	315	432,5
U 75...-6000/8-2RT	45	225	1407	710	330	450	450	2117	122	315	437
U 75...-6000/8-1RT	45	225	1407	710	330	450	450	2117	122	315	437
U 75...-6000/8T	45	225	1407	710	330	450	450	2117	122	315	437



The pump is supplied without counterflanges (optional accessories, including bolts and joints)

\*Available from U 75/1-1R to U 75/6-1R

U 90... HS/HX	MOTOR		DIMENSIONS (mm)						Kg		
	kW	Dim	L1	L2	M	D1	D2	L1+L2	Pump	Motor	Eletric Pump
U 90...-750/1-1RT	5,5	132	737	380	192	256	300	1117	82,5	66	148,5
U 90...-1000/1T	7,5	132	737	380	192	256	300	1117	82,5	73	155,5
U 90...-1500/2-2RT	11	160	849	505	265	315	350	1354	89	120	209
U 90...-2000/2T	15	160	849	505	265	315	350	1354	89	132	221
U 90...-2500/3-2RT	18,5	160	941	600	265	315	350	1541	93	150	243
U 90...-3000/3T	22	180	941	620	280	360	350	1561	93	205	298
U 90...-4000/4-2RT	30	200	1038	661	310	400	400	1699	100	250	350
U 90...-4000/4T	30	200	1038	661	310	400	400	1699	100	250	350
U 90...-5000/5-2RT	37	200	1131	661	310	400	400	1792	104	270	374
U 90...-5000/5T	37	200	1131	661	310	400	400	1792	104	270	374
U 90...-6000/6-2RT	45	225	1223	710	330	450	450	1933	110,5	315	425,5
U 90...-6000/6T	45	225	1223	710	330	450	450	1933	110,5	315	425,5