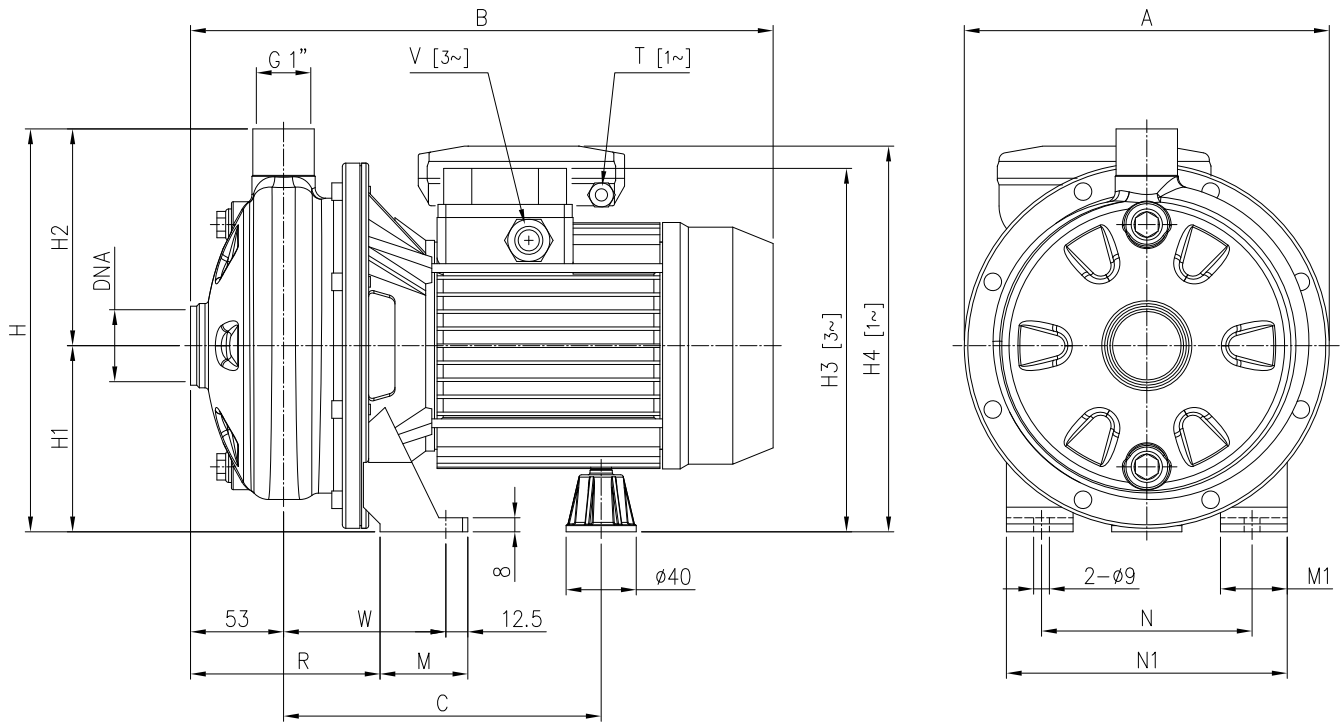


### PUMP



Pump type		Dimensions [mm]																			Weight [kgf]	
Single Phase	Three Phase	A	B		C	H	H1	H2	H3	H4	M	M1	N	N1	R	T	V	W	DNA	[1~]	[3~]	
			[1~]	[3~]					[3~]	[1~]						[1~]	[3~]					
CDXM 70/05	CDX 70/05	208	321	320	181	229.5	106	123.5	207	216	50	38	120	160	108	PG11	PG11	92.5	G 1 1/4	8.3	8.3	
CDXM 70/07	CDX 70/07	208	321	320	181	229.5	106	123.5	207	216	50	38	120	160	108	PG11	PG11	92.5	G 1 1/4	9.8	9.7	
CDXM 90/10	CDX 90/10	208	321	320	181	229.5	106	123.5	207	216	50	38	120	160	108	PG11	M16X1.5	92.5	G 1 1/4	11	11	
CDXM 120/07	CDX 120/07	208	321	320	181	229.5	106	123.5	207	216	50	38	120	160	108	PG11	PG11	92.5	G 1 1/4	9.6	9.5	
CDXM 120/12	CDX 120/12	208	321	332	181	229.5	106	123.5	207	235	50	38	120	160	108	PG11	M16X1.5	92.5	G 1 1/4	11.8	12.4	
CDXM 120/20	CDX 120/20	232	346.5	371.5	198.5	250	118	132	237	248.5	55	40	140	180	105.5	PG13.5	M20X1.5	95	G 1 1/4	16.5	18.1	
CDXM 200/12	CDX 200/12	208	321	332	181	229.5	106	123.5	207	235	50	38	120	160	108	PG13.5	M16X1.5	92.5	G 1 1/2	11.4	12.2	
CDXM 200/20	CDX 200/20	208	346.5	371.5	198.5	229.5	106	123.5	225	236.5	55	40	140	180	105.5	PG13.5	M20X1.5	95	G 1 1/2	15.3	17	
-	CDX 200/25	232	-	371.5	198.5	250	118	132	237	-	55	40	140	180	105.5	-	M20X1.5	95	G 1 1/2	-	16.8	

[1~] Single phase

[3~] Three phase